

**SCHLAGE**

# AD Series

Service manual



# Contents

3	Introduction	43	Parts and Accessories
3	Standard Features	44	Reader Modules
4	AD-Series Adaptable Electronic Locks	45	Communication Module Kits
5	Locks	46	Levers
6	AD-200/250-CY, Exterior	48	Spring Cages
7	AD-200/250-CY, Interior	49	Cylinders
8	AD-200/250-MS, Exterior	49	Latches
9	AD-200/250-MS, Interior	50	Tailpiece Kits
10	AD-200/250-MD, Exterior	51	Spring Cage and Tailpiece 10-Piece Bulk Packs
11	AD-200/250-MD, Interior	52	Strike Plates
12	AD-200/250-993-R, Exterior	52	Mortise Lock Armor Fronts
13	AD-200/250-993-R, Interior	53	Battery Holder Kits and WPR Charger Kit
14	AD-200/250-993-S, Exterior	54	Coin Cell Battery Replacement
15	AD-200/250-993-S, Interior	54	REX Switch, Main PCB Kits and Wiring Harness Replacement
16	AD-200/250-993-M, Exterior	55	Door Thickness Kit
17	AD-200/250-993-M, Interior	56	Mounting Screw and Spindle Details for CY, MS, and MD
18	AD-300-CY, Exterior	57	Exit Device Mounting Hardware Kit
19	AD-300-CY, Interior	58	Thin Door Shims
20	AD-300-MS, Exterior	58	Decorative Plates
21	AD-300-MS, Interior		
22	AD-300-MD, Exterior		
23	AD-300-MD, Interior		
24	AD-300-993-R, Exterior		
25	AD-300-993-R, Interior		
26	AD-300-993-S, Exterior		
27	AD-300-993-S, Interior		
28	AD-300-993-M, Exterior		
29	AD-300-993-M, Interior		
30	AD-400-CY, Exterior		
31	AD-400-CY, Interior		
32	AD-400-MS, Exterior		
33	AD-400-MS, Interior		
34	AD-400-MD, Exterior		
35	AD-400-MD, Interior		
36	AD-400-993-R, Exterior		
37	AD-400-993-R, Interior		
38	AD-400-993-S, Exterior		
39	AD-400-993-S, Interior		
40	AD-400-993-M, Exterior		
41	AD-400-993-M, Interior		
42	AD-993-DT Dummy Trim, Exterior		

# Introduction

This manual contains a complete listing of available parts and assemblies for AD-Series cylindrical, mortise, and exit trim locks manufactured by Schlage Lock Company. This edition lists components of AD-Series locks manufactured after May 2018.

Spring cage, lever, and latch improvements were implemented for all AD-Series electronic locks in May 2018.

Exploded views of each lock function and trim assembly are provided with accompanying charts to identify parts for replacement purposes. Exploded views of trim are shown with parts for standard size doors. In addition, this manual provides lock trim, ordering procedures, and all auxiliary components of the AD-Series cylindrical, mortise, and exit trim locks.

## Standard Features

<b>Certifications</b>	<b>ANSI/BHMA A156.25 Grade 1, UL294, UL10 C, FCC Part 15, ADA, RoHS</b>
Credential Verification Time	Less than 1 second
Visual/Audible Communications	Tri-colored LEDs and audible indicators (field configurable)
Max Current Requirement	Up to 250 mA
Operating Humidity	0-100% non-condensing
Operating Temperature- Exterior	-31° to 151°F (-35° to 66°C) (no battery)
Operating Temperature- Interior	32° to 120° (0° to 49°C) (battery*) Note: Battery not applicable for AD-300 locks.
System Interface	AD-200/250: Handheld Device AD-300: Wiegand or Clock and Data via PIB300, or RS-485 directly AD-400: RS-485, Wiegand, or Clock and Data via PIM400
Power Supply	4 AA, 8 AA, 12 VDC, or 24 VDC
Latch Bolt	Cylindrical: 1/2" throw security latch, 3/4" throw optional Mortise: 3/4" throw with anti-friction tongue standard, 1" throw deadbolt on Mortise Deadbolt option
Voltage Range	4 VDC to 26 VDC
Reader Options	Keypad only, Magnetic Stripe Card, and Multi-Tech Notes: Card and multi-tech readers available with and without keypad. Multi-tech readers read prox and smart cards (including iClass compatible).
Strike	Cylindrical: ANSI curved lip strike 1 1/4" x 4 7/8" x 1 3/16" lip to center standard, optional strikes, lip lengths, and ANSI strike box available Mortise: ANSI curved lip strike 1 1/4" x 4 7/8" x 1 3/16" lip to center with dust box standard, optional strikes lip lengths available
Backset	Cylindrical: 2 3/4" standard, 2 3/8", 3 3/4", and 5" optional Mortise: 2 3/4" only
Cylinder	Schlage 6-Pin Full Cylinder (PD), C123 keyway, keyed different (PD)
Door Range	1 3/4" standard, 1 3/8" to 2 3/4" optional
Keys	Two nickel silver cut keys per lock, 6-Pin, C123 section

# AD-Series Adaptable Electronic Locks

With the AD-Series, one platform translates to an endless number of adaptable solutions. You can choose the features and functions that are right for the application today, and upgrade to meet your evolving needs in the future. Please visit [us.allegion.com](http://us.allegion.com) for complete details.

**The lock Class determines how the lock communicates with the Access Control System. Four options are available:**

- AD-200: Offline; user access rights stored in the lock
- AD-250: Offline; user access rights stored on magnetic stripe card
- AD-300: Networked/Hardwired; Direct RS-485 connection, Wiegand or Clock and Data
- AD-400: Networked/Wireless; 900 MHz, Secure encrypted data transmission

**The AD-Series is available in three locking Chassis options as well as three exit trim options:**

- CY: Cylindrical
- MS: Mortise
- MD: Mortise Deadbolt
- 993R: Exit Trim — Rim/Concealed Vertical Rod (CVR)
- 993S: Exit Trim — Surface Vertical Rod (SVR)
- 993M: Exit Trim — Mortise

**The AD-Series can be upgraded from offline to networked in the future in three easy steps:**

- 1) Add a new communication module
- 2) Re-flash the lock with the HHD
- 3) Connect the lock to the access control system.

**The AD-Series is available with four locking functions which are adaptable in the field:**

Function	Description
Classroom/Storeroom (70)	Lockset is normally secure. Inside lever always allows free egress. Valid toggle credentials on the exterior may be used to change to a passage or secured status.
Office (50)	Lockset is normally secure. Inside lever always allows free egress. Interior push button on inside housing may be used to select a passage or secured status. Meets need for lockdown function for safety and security. NOTE: Valid toggle credentials on the exterior may also be used to change status.
Privacy (40)	Lockset is normally secure. Inside lever always allows free egress. Interior push button on inside housing may be used to select a privacy status. The interior push button will disable normal electronic access from the exterior. Opening the door or pressing the interior push button a second time on the inside housing deactivates the privacy status. The AD-Series is available with six different credential reader options which are adaptable in the field.
Apartment (60)	Lockset is normally secure. Inside lever always allows free egress. Inside push button (IPB) on inside housing may be used to select a passage or secured status. Opening the door or pressing the inside push button causes the lockset to toggle unsecured. While toggled unsecured, the lockset can only be secured while the door is closed by pressing the interior push button or using a normal credential on the exterior. Normal electronic access from the exterior is always allowed.

Credential Reader Type	Description
MT: Multi-Technology MTK: Multi-Technology with Keypad	Single solution that reads 125 kHz Proximity and 13.56 MHz Smart credentials
MG: Magnetic Stripe (Insert) MGK: Magnetic Stripe (Insert) with Keypad	Configurable to read the complete Track 1, 2, or 3
MS: Magnetic Stripe (Swipe) MSK: Magnetic Stripe (Swipe) with Keypad	Configurable to read the complete Track 1, 2, or 3
KP: Keypad Only	12 button design
FMK: FIPS Multi-Technology with Keypad	FIPS 201-2 Compliant Reader, compatible with AD302 and AD402 only
Si: Smart Technology iClass compatible SiK: Smart Technology iClass compatible with Keypad	iClass compatible reader that reads 13.56 MHz Smart credentials
DT: Dummy Trim	For 993 Dummy Trim

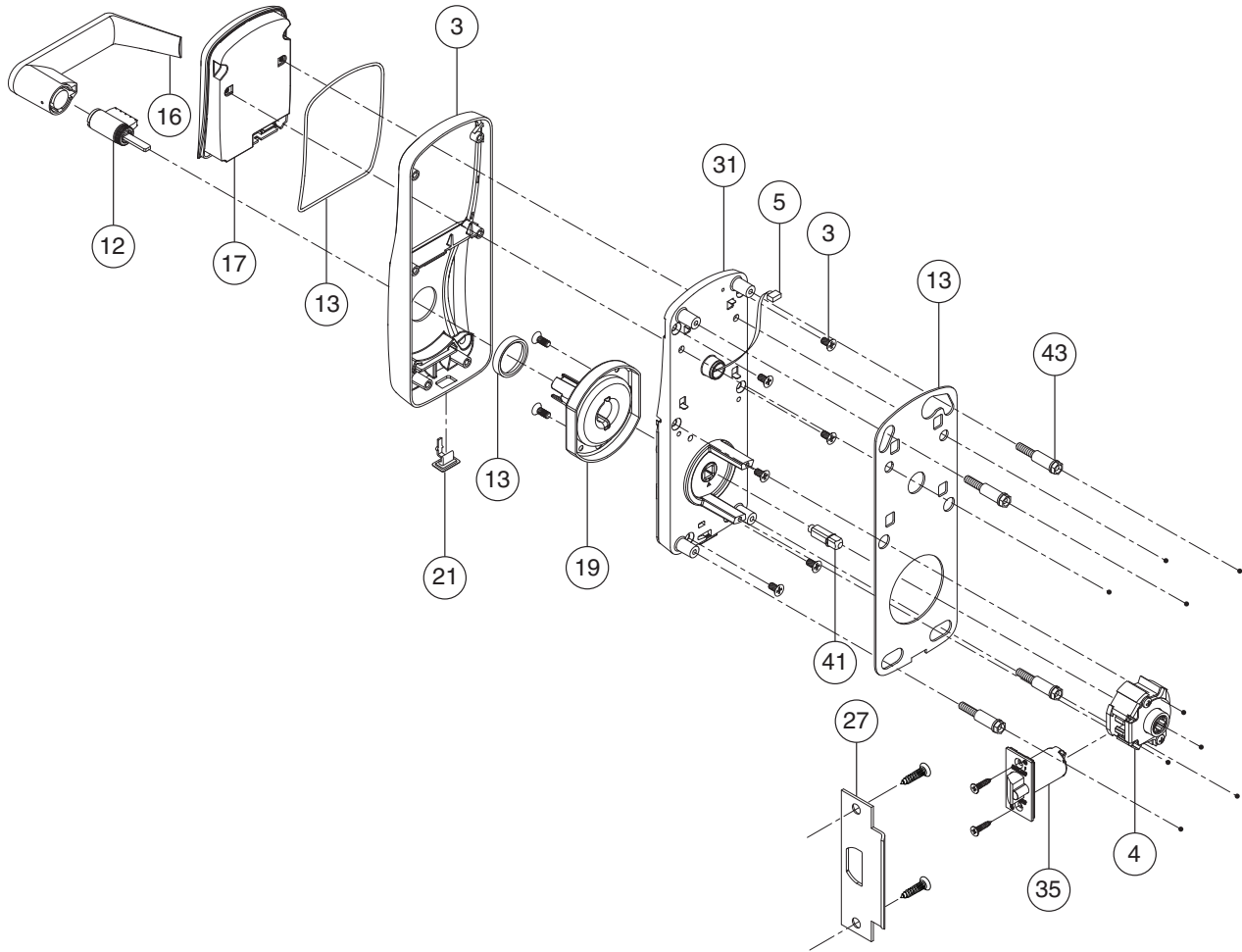


# Locks

- 6 AD-200/250-CY, Exterior
- 7 AD-200/250-CY, Interior
- 8 AD-200/250-MS, Exterior
- 9 AD-200/250-MS, Interior
- 10 AD-200/250-MD, Exterior
- 11 AD-200/250-MD, Interior
- 12 AD-200/250-993-R, Exterior
- 13 AD-200/250-993-R, Interior
- 14 AD-200/250-993-S, Exterior
- 15 AD-200/250-993-S, Interior
- 16 AD-200/250-993-M, Exterior
- 17 AD-200/250-993-M, Interior
- 18 AD-300-CY, Exterior
- 19 AD-300-CY, Interior
- 20 AD-300-MS, Exterior
- 21 AD-300-MS, Interior
- 22 AD-300-MD, Exterior
- 23 AD-300-MD, Interior
- 24 AD-300-993-R, Exterior
- 25 AD-300-993-R, Interior
- 26 AD-300-993-S, Exterior
- 27 AD-300-993-S, Interior
- 28 AD-300-993-M, Exterior
- 29 AD-300-993-M, Interior
- 30 AD-400-CY, Exterior
- 31 AD-400-CY, Interior
- 32 AD-400-MS, Exterior
- 33 AD-400-MS, Interior
- 34 AD-400-MD, Exterior
- 35 AD-400-MD, Interior
- 36 AD-400-993-R, Exterior
- 37 AD-400-993-R, Interior
- 38 AD-400-993-S, Exterior
- 39 AD-400-993-S, Interior
- 40 AD-400-993-M, Exterior
- 41 AD-400-993-M, Interior
- 42 AD-993-DT Dummy Trim, Exterior

## Locks

### AD-200/250-CY, Exterior



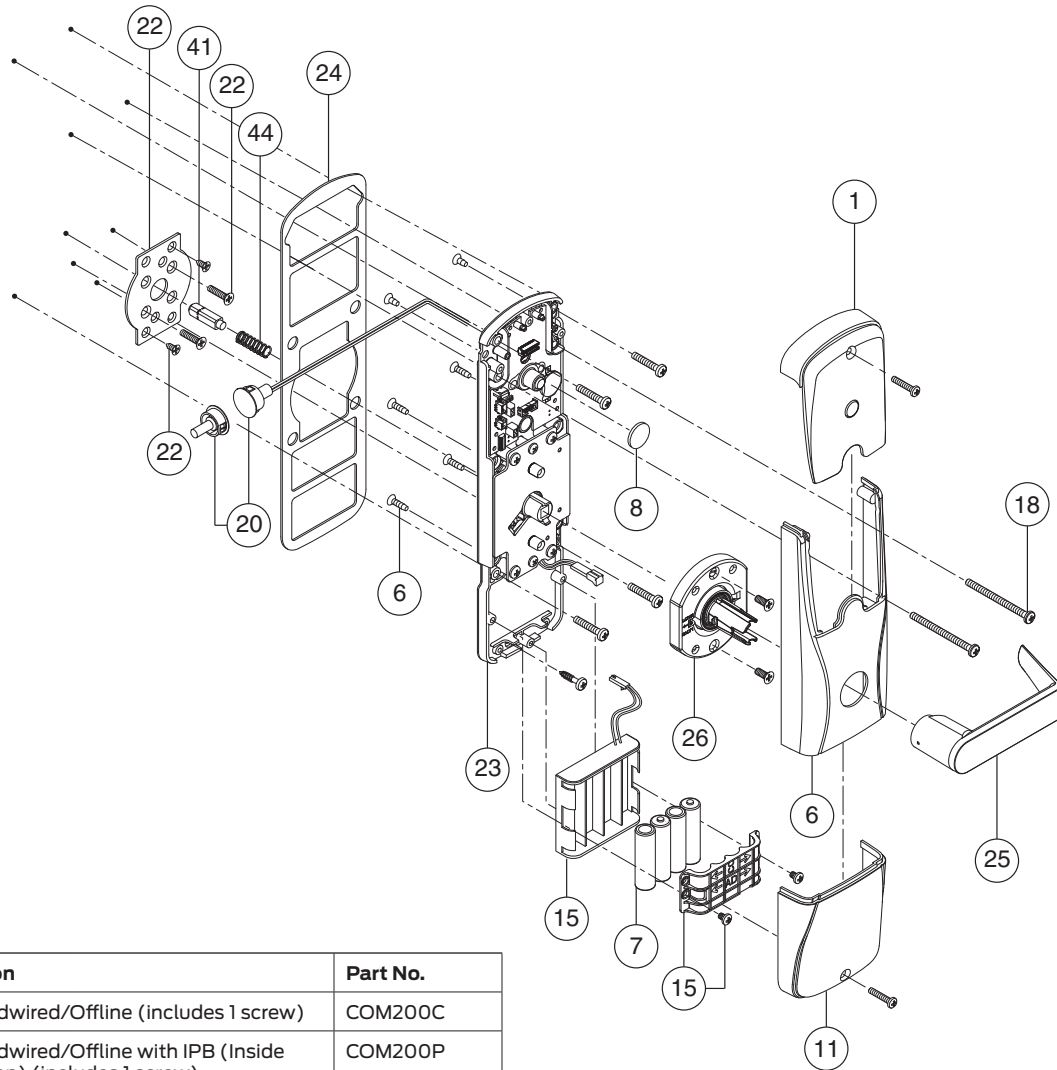
No.	Description	Part No.
3*	Escutcheon, CY (includes 6 screws)	46928743
4	Retractor Assembly, Latch, CY	46928800
5**	Wiring Harness, CY, MS, and MD	46928727
12*	Cylinder	See page 49
13	Gasket Kit, Outside (includes spindle, baseplate, and reader gaskets)	47260740
16*◇	Lever (less core), Schlage KIL	03-231
	Lever (less core), Schlage FSIC	03-232
	Lever (less core) Schlage SFIC	03-200

No.	Description	Part No.
17*	Reader Module	See page 44
19√	Spring Cage Assembly (includes 2 screws)	47258543
21	USB Cover (10-piece bulk pack)	46928719
27*	Strike (includes 2 screws)	See page 52
31*◇	Baseplate Assembly, CY	47260732
35*	Latch Assembly (includes 2 screws)	13-247
41◆	Spindle	See page 56
43◆	Baseplate Standoffs	See page 55

- \* Must specify finish.
- \*\* See page 54 for wiring harness diagram.
- ◇ For competitor levers see page 47.
- √ For competitor outside spring cages see page 48.
- ◆ This item only available as part of door thickness kit, see page 55.
- ◇ Must specify cylinder type and handing.

# Locks

## AD-200/250-CY, Interior



No.	Description	Part No.
1*	Cover, Hardwired/Offline (includes 1 screw)	COM200C
	Cover, Hardwired/Offline with IPB (Inside Push Button) (includes 1 screw)	COM200P
	Cover, Hardwired/Offline with Indicator (includes 1 screw)	COM200L
6*	Escutcheon Assembly, CY and MS (includes 6 screws)	46929014
7	Batteries, AA (4), alkaline only	F206-488
8	Lithium Battery	46929147
11*	4AA Battery Cover (includes 1 screw)	4C
15	4AA Battery Holder Kit (with strap and 2 screws)	46929063
18	Reader Module Screws (page 56, Item B)	46928511
20	Door Position Switch	46929121
22	Alignment Plate Kit	46929030
	Alignment Plate	
	Screws, Surface Mount	
	Screws, Alignment Plate	

No.	Description	Part No.
23❖	Baseplate Assembly, CY, MS, and MD	47261347
24	Gasket, Baseplate, CY, MS, and MD	46928982
25*	Lever	03-230
26	Spring Cage Assembly (includes 2 screws)	47260743
41♦	Spindle	See page 56
44	Spindle Spring	44484996

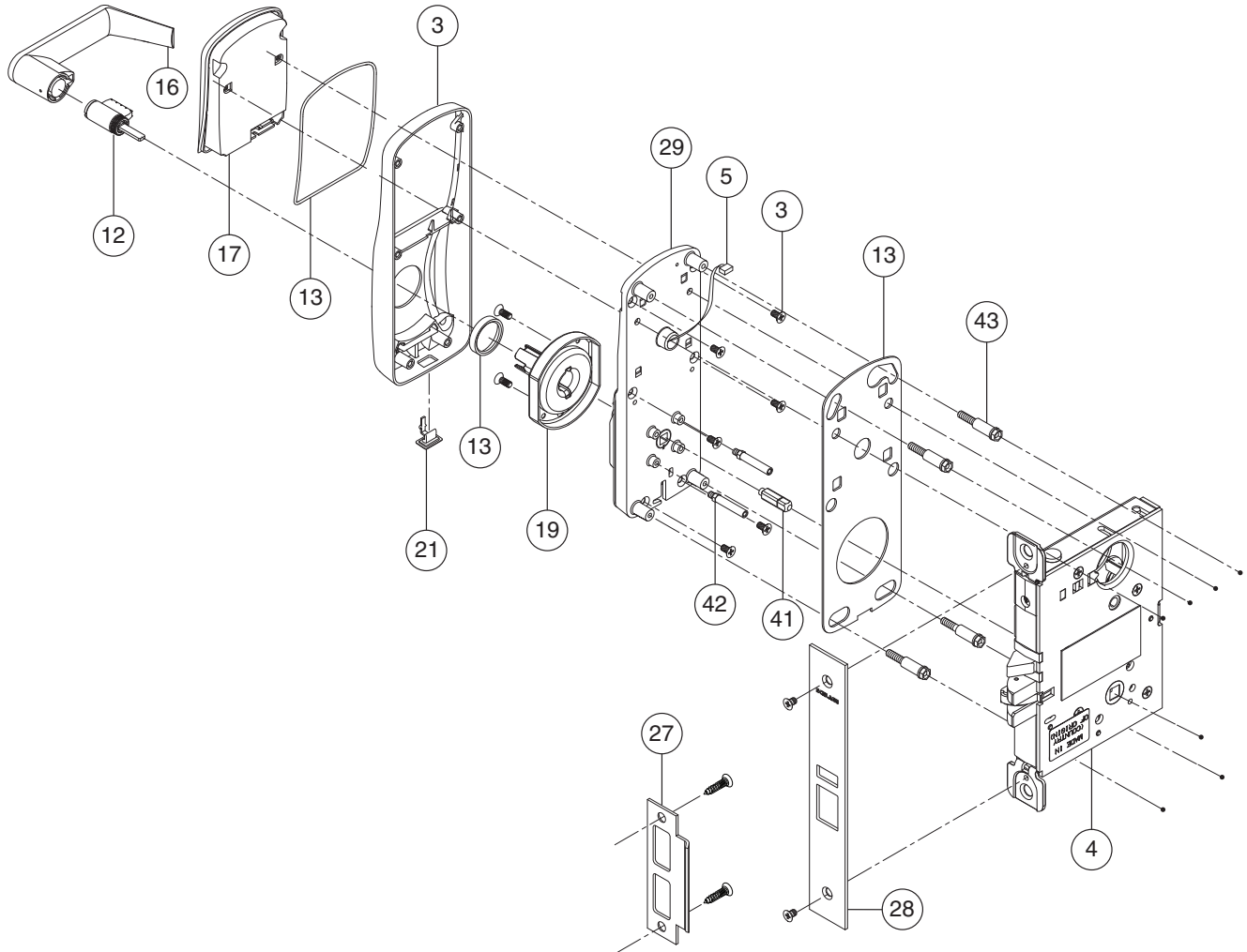
\* Must specify finish.

♦ This item only available as part of door thickness kit, see page 55.

❖ Must specify device class and handing.

## Locks

### AD-200/250-MS, Exterior



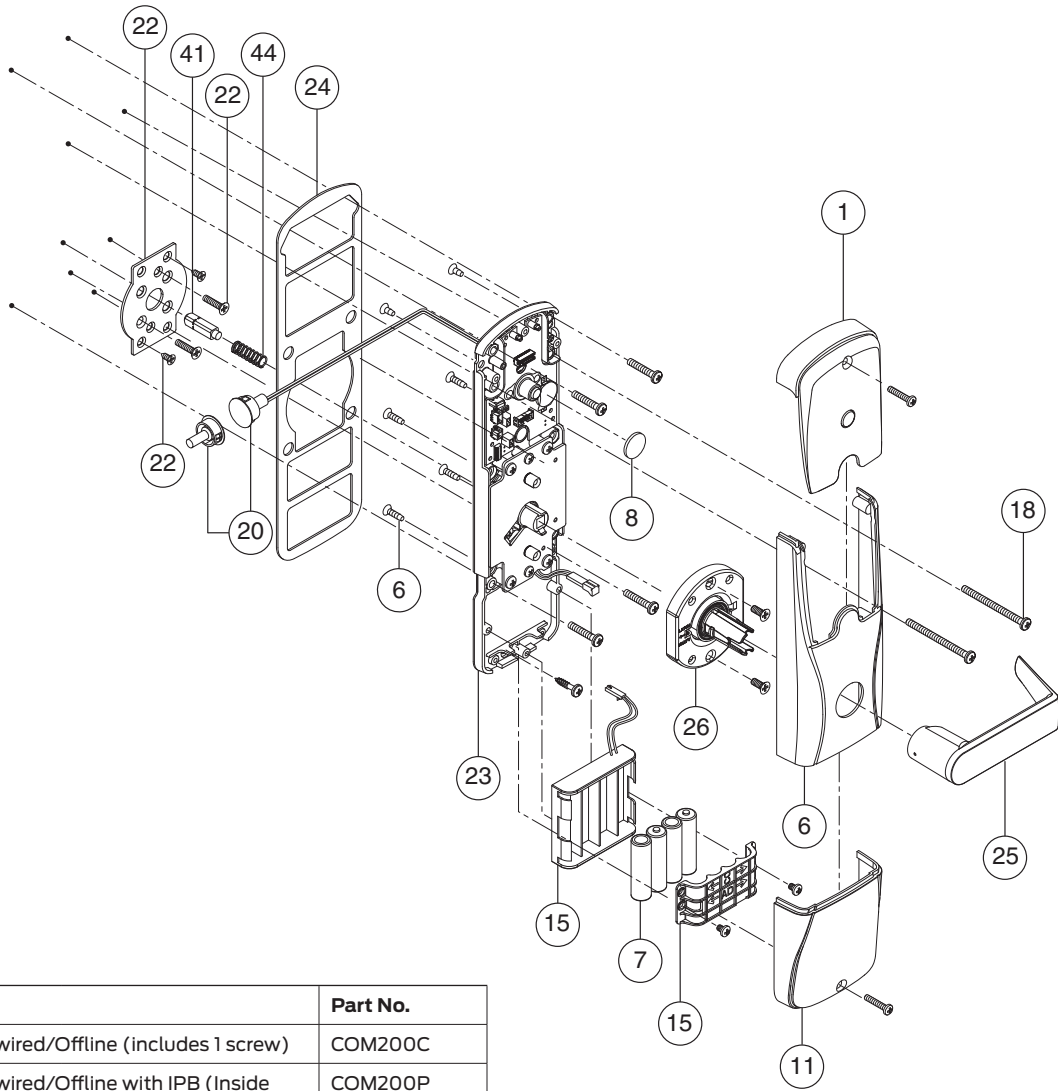
No.	Description	Part No.
3*	Escutcheon, MS, MD (includes 6 screws)	46928743
4	Lock Case Assembly, Narrow, 1 $\frac{1}{16}$ " wide	46928818
	Lock Case Assembly, 1 $\frac{1}{4}$ " wide	46928826
5**	Wiring Harness, CY, MS, and MD	46928727
12*	Cylinder	See page 49
13	Gasket Kit, Outside (includes spindle, baseplate, and reader gaskets)	47260740
16*◇	Lever (less core), Schlage KIL	03-231
	Lever (less core), Schlage FSIC	03-232
	Lever (less core) Schlage SFIC	03-200
17*	Reader Module	See page 44
19√	Spring Cage Assembly (includes 2 screws)	47258543

No.	Description	Part No.	
21	USB Cover (10-piece bulk pack)	46928719	
27*	Strike (includes 2 screws)	See page 52	
28*	Armor Front, MS (includes 2 screws)	1 $\frac{1}{4}$ " Wide	09-663
		1 $\frac{1}{16}$ " Wide	09-669
29✦	Baseplate Assembly, MS and MD	47260738	
41◇	Spindle	See page 56	
42◇	Mortise Standoffs	See page 55	
43◇	Baseplate Standoffs	See page 55	

- \* Must specify finish.
- \*\* See page 54 for wiring harness diagram.
- ◇ For competitor levers see page 47.
- √ For competitor outside spring cages see page 48.
- ◆ This item only available as part of door thickness kit, see page 55.
- ✦ Must specify cylinder type and handing.

**Locks**

AD-200/250-MS, Interior



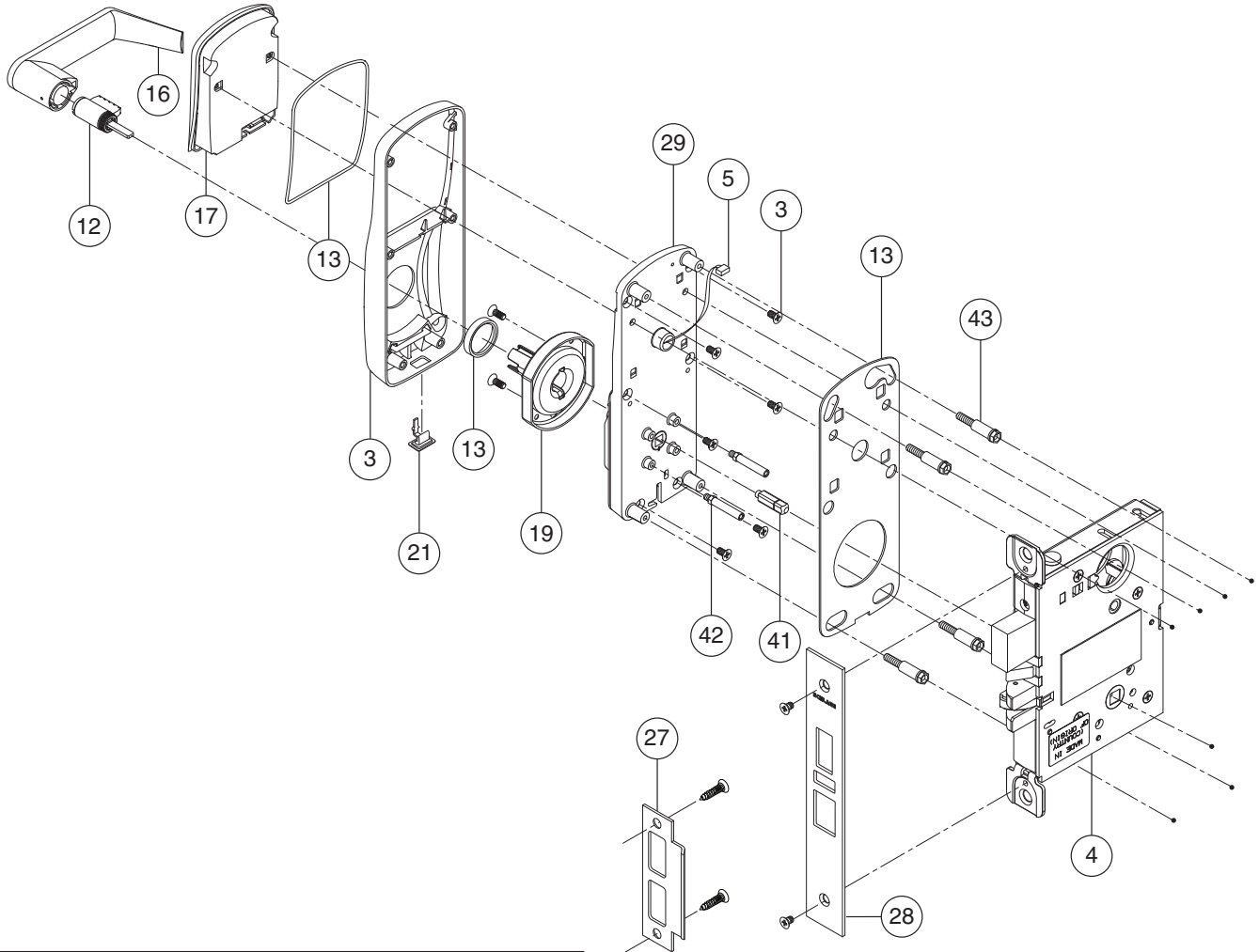
No.	Description	Part No.
1*	Cover, Hardwired/Offline (includes 1 screw)	COM200C
	Cover, Hardwired/Offline with IPB (Inside Push Button) (includes 1 screw)	COM200P
	Cover, Hardwired/Offline with Indicator (includes 1 screw)	COM200L
6*	Escutcheon Assembly, CY and MS (includes 6 screws)	46929014
7	Batteries, AA (4), alkaline only	F206-488
8	Lithium Battery	46929147
11*	4AA Battery Cover (includes 1 screw)	4C
15	4AA Battery Holder Kit (with strap and 2 screws)	46929063
18	Reader Module Screws (page 56, Item B)	46928511
20	Door Position Switch	46929121
22	Alignment Plate Kit	46929030
	Alignment Plate	
	Screws, Surface Mount	
	Screws, Alignment Plate	

No.	Description	Part No.
23❖	Interior Baseplate Assembly, CY, MS, and MD	47261347
24	Gasket, Baseplate, CY, MS, and MD	46928982
25*	Lever	03-230
26	Spring Cage Assembly (includes 2 screws)	47260743
41♦	Spindle	See page 56
44	Spindle Spring	44484996

- \* Must specify finish.
- ♦ This item only available as part of door thickness kit, see page 55.
- ❖ Must specify device class and handing.

## Locks

### AD-200/250-MD, Exterior



No.	Description	Part No.
3*	Escutcheon, MS, MD (includes 6 screws)	46928743
4	Lock Case, Deadbolt, Narrow-1 <sup>1</sup> / <sub>16</sub> " wide	46928834
	Lock Case, Deadbolt-1 <sup>1</sup> / <sub>4</sub> " wide	46928842
5**	Wiring Harness, CY, MS, and MD	46928727
12*	Cylinder	See page 49
13	Gasket Kit, Outside (includes spindle, baseplate, and reader gaskets)	47260740
16*◇	Lever (less core), Schlage KIL	03-231
	Lever (less core), Schlage FSIC	03-232
	Lever (less core) Schlage SFIC	03-200
17*	Reader Module	See page 44
19√	Spring Cage Assembly (includes 2 screws)	47258543
21	USB Cover (10-piece bulk pack)	46928719

No.	Description	Part No.	
27*	Strike (includes 2 screws)	See page 52	
28*	Armor Front, MS (includes 2 screws)	1 <sup>1</sup> / <sub>4</sub> " Wide	09-666
		1 <sup>1</sup> / <sub>16</sub> " Wide	09-672
29❖	Baseplate Assembly, MS and MD	47260738	
41◇	Spindle	See page 56	
42◇	Mortise Standoffs	See page 55	
43◇	Baseplate Standoffs	See page 55	

\* Must specify finish.

\*\* See page 54 for wiring harness diagram.

◇ For competitor levers see page 47.

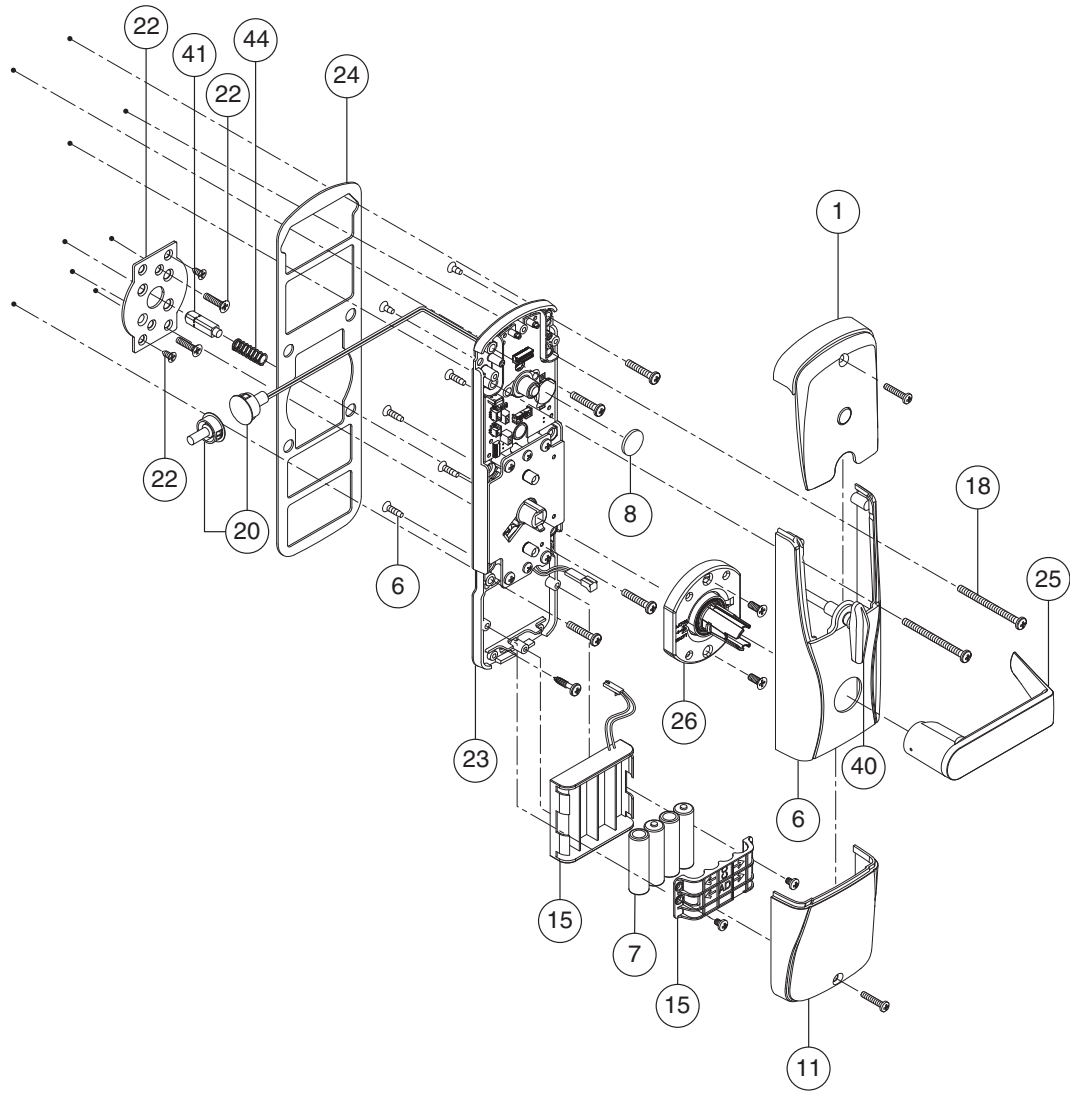
√ For competitor outside spring cages see page 48.

◆ This item only available as part of door thickness kit, see page 55.

❖ Must specify cylinder type and handing.

# Locks

## AD-200/250-MD, Interior



No.	Description	Part No.
1*	Cover, Hardwired/Offline (includes 1 screw)	COM200C
	Cover, Hardwired/Offline with IPB (Inside Push Button) (includes 1 screw)	COM200P
	Cover, Hardwired/Offline with Indicator (includes 1 screw)	COM200L
6*	Escutcheon Assembly, MD (includes 6 screws)	46929022
7	Batteries, AA (4), alkaline only	F206-488
8	Lithium Battery	46929147
11*	4AA Battery Cover (includes 1 screw)	4C
15	4AA Battery Holder Kit (with strap and 2 screws)	46929063
18	Reader Module Screws (page 56, Item B)	46928511

No.	Description	Part No.	
20	Door Position Switch	46929121	
22	Alignment Plate Kit	Alignment Plate	46929030
		Screws, Surface Mount	
		Screws, Alignment Plate	
23❖	Interior Baseplate Assembly, CY, MS, and MD	47261347	
24	Gasket, Baseplate, CY, MS, and MD	46928982	
25*	Lever	03-230	
26	Spring Cage Assembly (includes 2 screws)	47260743	
40*	Thumbturn, Deadbolt	46929113	
41♦	Spindle	See page 56	
44	Spindle Spring	44484996	

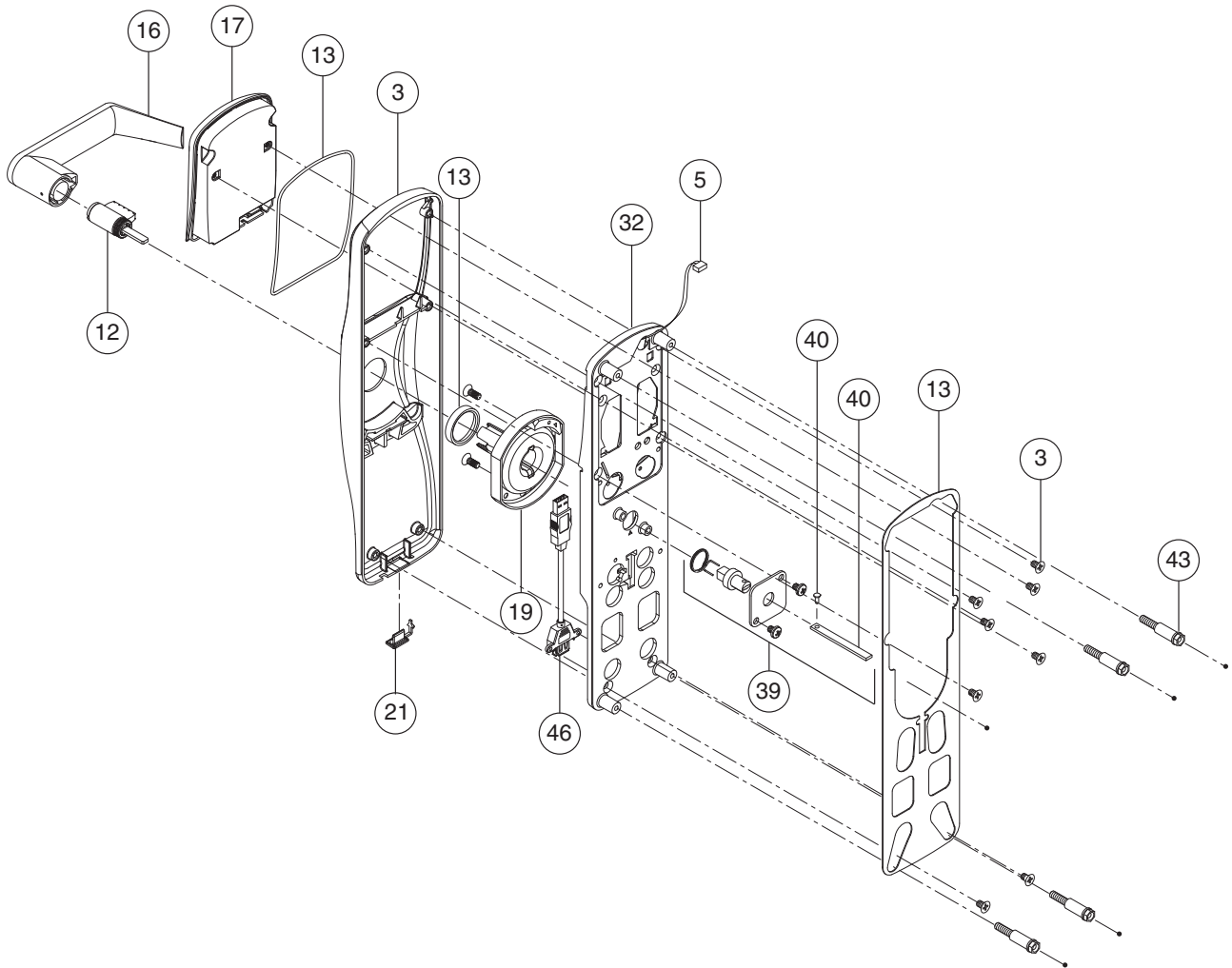
\* Must specify finish.

♦ This item only available as part of door thickness kit, see page 55.

❖ Must specify device class and handing.

## Locks

### AD-200/250-993-R, Exterior



No.	Description	Part No.
3*	Escutcheon, 993 (includes 8 screws)	47258398
5**	Wiring Harness, 993	46928735
12*	Cylinder	See page 49
13	Gasket Kit, Outside (includes spindle, baseplate, and reader gaskets)	47260741
16*◇	Lever (less core), Schlage KIL	03-231
	Lever (less core), Schlage FSIC	03-232
	Lever (less core) Schlage SFIC	03-200
17*	Reader Module	See page 44
19√	Spring Cage Assembly (includes 2 screws)	47258545
21	USB Cover (10-piece bulk pack)	47258550
32❖	Baseplate Assembly, 993	47260739

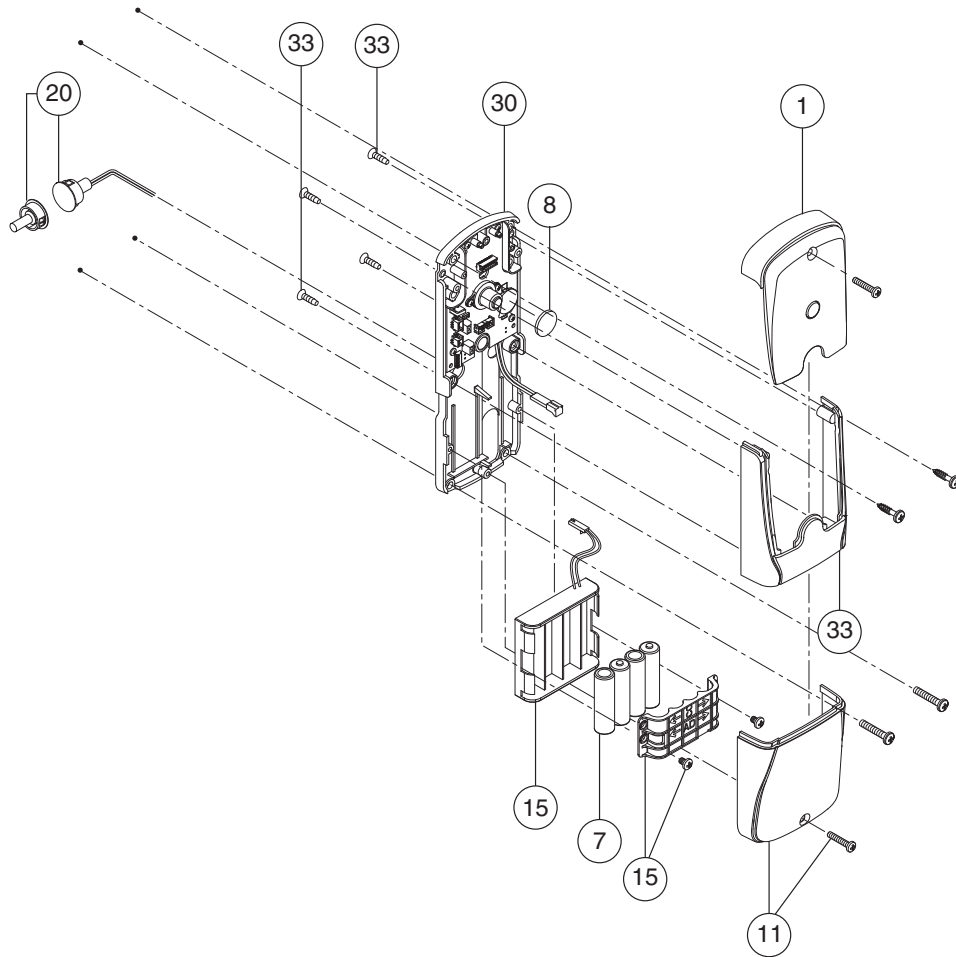
No.	Description	Part No.	
39	Spindle and Hub Kit	Tailpiece	46929295
		Clip, Tailpiece	
		Cover, Spindle, 993	
		Screw, Spindle Cover	
		Hub	
		Spring, Tailpiece, 993	
40	Tailpiece Kit	Tailpiece and Pine Tree Clip	46929303
43◆	Baseplate Standoffs		See page 55
46	Cable, USB		47253409

- \* Must specify finish.
- \*\* See page 54 for wiring harness diagram.
- ◇ For competitor levers see page 47.
- √ For competitor outside spring cages see page 48.
- ◆ This item only available as part of door thickness kit, see page 55.
- ❖ Must specify cylinder type and handing.



**Locks**

AD-200/250-993-R, Interior



No.	Description	Part No.	
1*	Cover, Hardwired/Offline	Cover, Hardwired/Offline Screw, Cover (1)	COM200C
	Cover, Hardwired/Offline with IPB (Inside Push Button)	Cover, Hardwired/Offline with IPB (Inside Push Button) Screw, Cover (1)	COM200P
	Cover, Hardwired/Offline with Indicator	Cover, Hardwired/Offline with Indicator Screw, Cover (1)	COM200L
7	Batteries, AA (4), alkaline only	F206-488	

No.	Description	Part No.	
8	Lithium Battery	46929147	
11*	4AA Battery Cover	Cover, 4AA Battery	4C
		Screw, Battery Cover (1)	
15	4AA Battery Holder Kit	Holder, 4AA Battery	46929063
		Strap, 4AA Battery	
		Screws, Battery Strap (2)	
20	Door Position Switch	46929121	
30❖	Baseplate Assembly, 993	46929253	
33*	Escutcheon Assembly, 993 (includes 4 screws)	46929279	

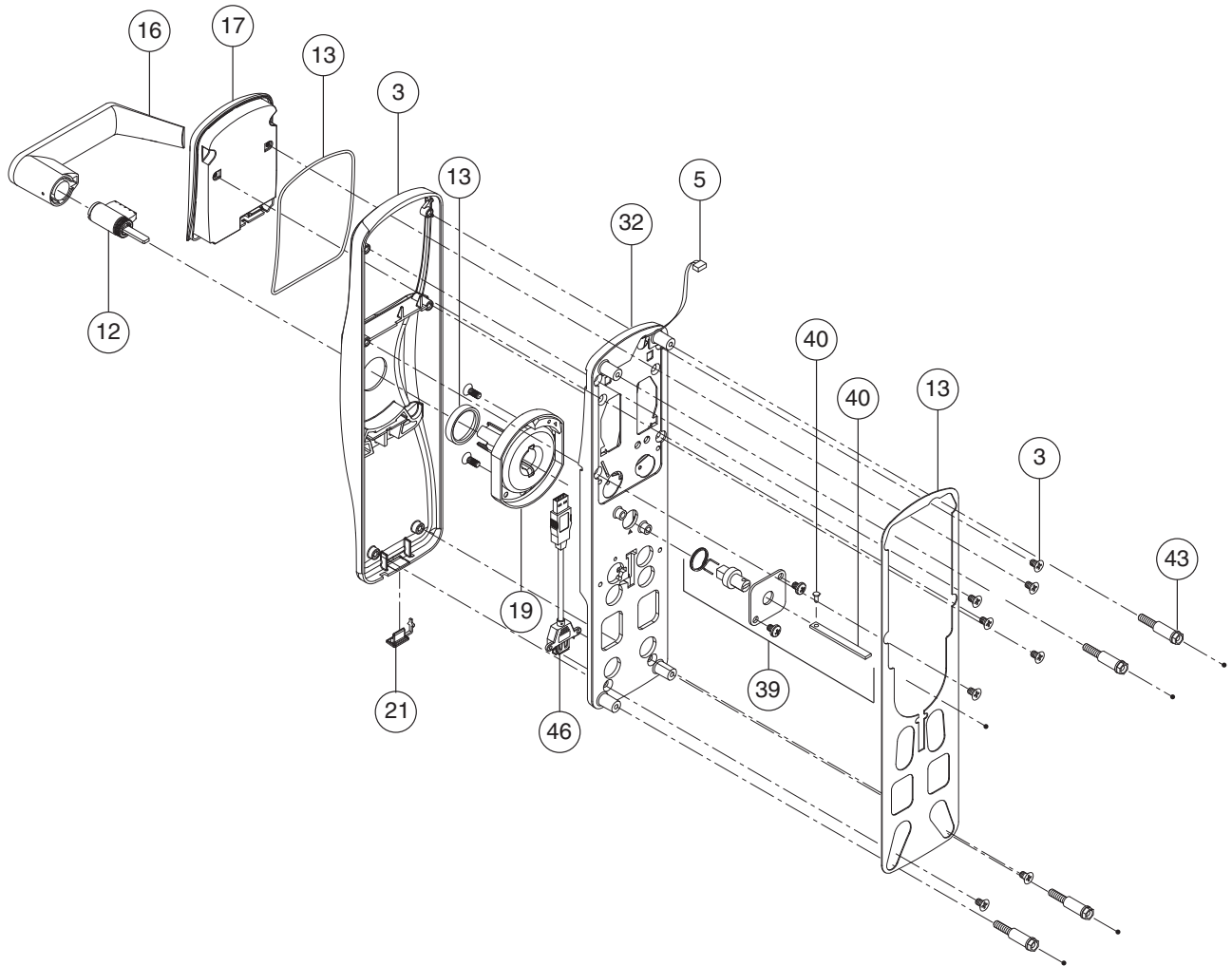
\* Must specify finish.

❖ Must specify device class and handing.

Note: For doors with existing large cutout, order exit device mounting hardware kit, see page 57.

## Locks

### AD-200/250-993-S, Exterior



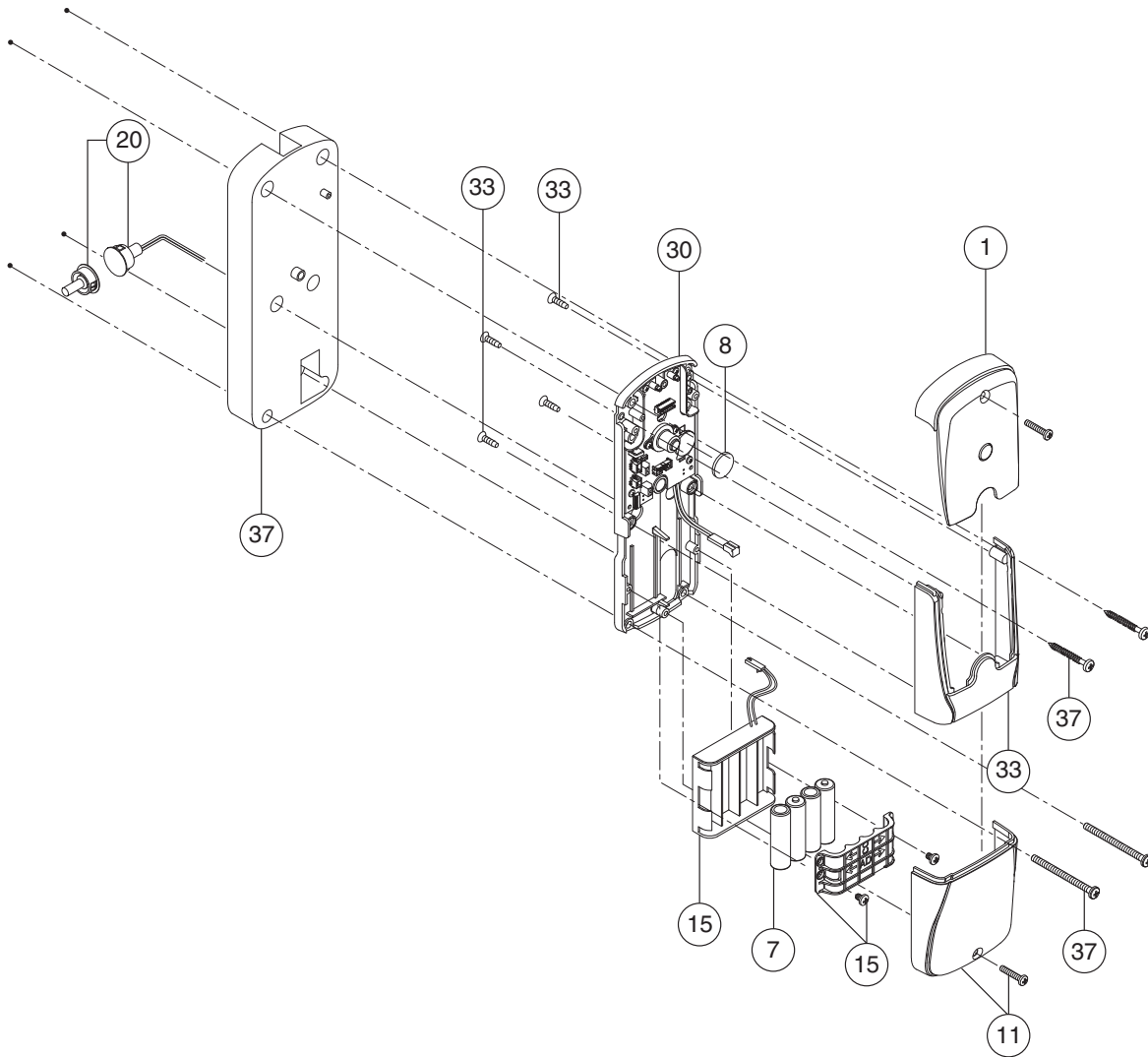
No.	Description	Part No.
3*	Escutcheon, 993 (includes 8 screws)	47258398
5**	Wiring Harness, 993	46928735
12*	Cylinder	See page 49
13	Gasket Kit, Outside (includes spindle, baseplate, and reader gaskets)	47260741
16*◇	Lever (less core), Schlage KIL	03-231
	Lever (less core), Schlage FSIC	03-232
	Lever (less core) Schlage SFIC	03-200
17*	Reader Module	See page 44
19√	Spring Cage Assembly (includes 2 screws)	47258545
21	USB Cover (10-piece bulk pack)	47258550
32♣	Baseplate Assembly, 993	47260739

No.	Description	Part No.	
39	Spindle and Hub Kit	Tailpiece	46929295
		Clip, Tailpiece	
		Cover, Spindle, 993	
		Screw, Spindle Cover	
		Hub	
40	Tailpiece Kit	Spring, Tailpiece, 993	46929303
		Tailpiece	
		Pine Tree Clip	
43◆	Baseplate Standoffs	See page 55	
46	Cable, USB	47253409	

- \* Must specify finish.
- \*\* See page 54 for wiring harness diagram.
- ◇ For competitor levers see page 47.
- √ For competitor outside spring cages see page 48.
- ◆ This item only available as part of door thickness kit, see page 55.
- ♣ Must specify cylinder type and handing.

**Locks**

AD-200/250-993-S, Interior



No.	Description	Part No.
1*	Cover, Hardwired/Offline	Cover, Hardwired/Offline Screw, Cover (1)
	Cover, Hardwired/Offline with IPB (Inside Push Button)	Cover, Hardwired/Offline with IPB (Inside Push Button) Screw, Cover (1)
	Cover, Hardwired/Offline with Indicator	Cover, Hardwired/Offline with Indicator Screw, Cover (1)
7	Batteries, AA (4), alkaline only	F206-488
8	Lithium Battery	46929147

No.	Description	Part No.
11*	4AA Battery Cover	Cover, 4AA Battery
		Screw, Battery Cover (1)
15	4AA Battery Holder Kit	Holder, 4AA Battery
		Strap, 4AA Battery
		Screws, Battery Strap (2)
20	Door Position Switch	46929121
30❖	Baseplate Assembly, 993	46929253
33*	Escutcheon Assembly, 993 (includes 4 screws)	46929279
37	Spacer, Inside Baseplate, 993-S	Spacer, Baseplate
		Screws, Baseplate
		Screws, Surface Mount

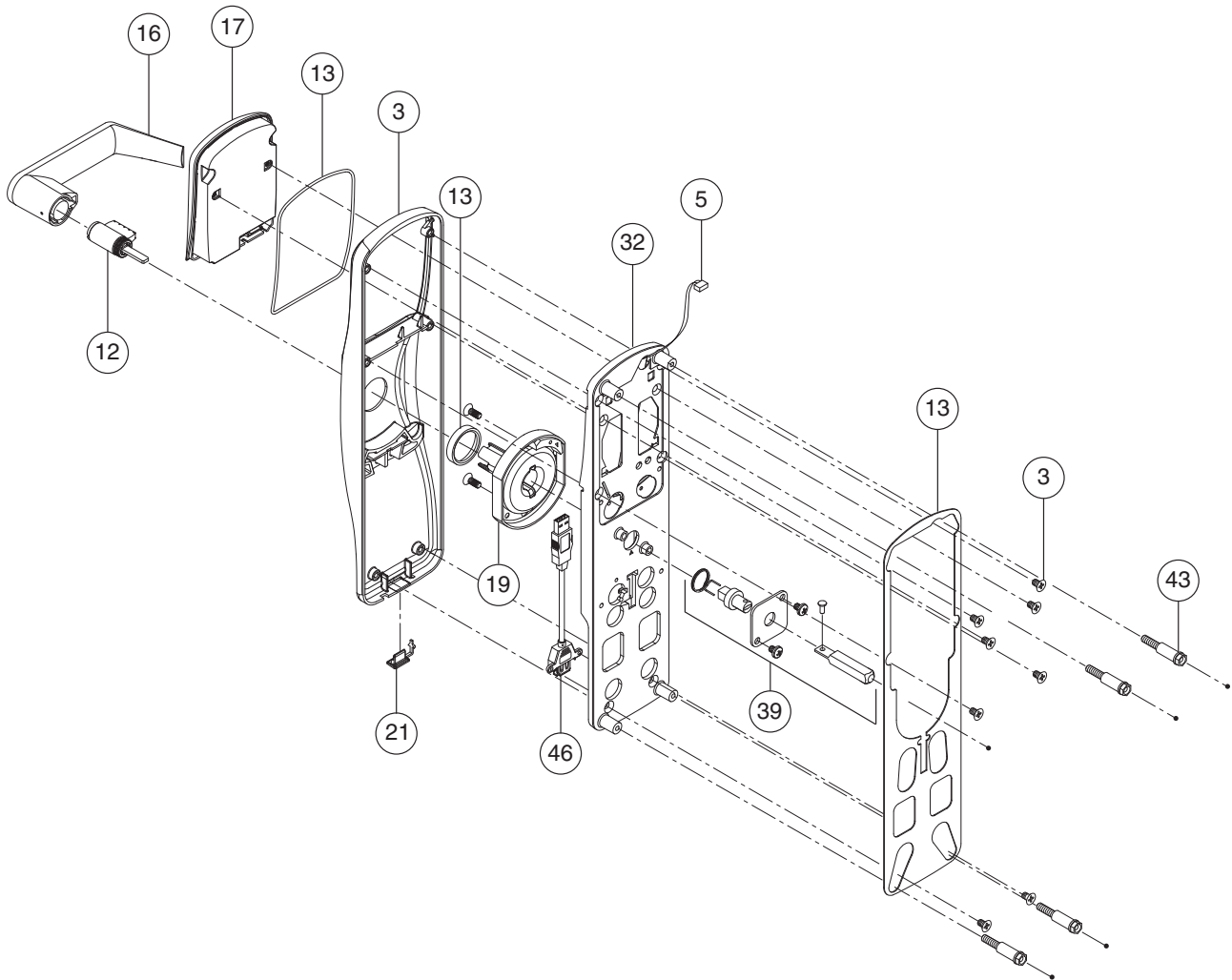
\* Must specify finish.

❖ Must specify cylinder type and handing.

Note: For doors with existing large cutout, order exit device mounting hardware kit, see page 57.

## Locks

### AD-200/250-993-M, Exterior



No.	Description	Part No.
3*	Escutcheon, 993 (includes 8 screws)	47258398
5**	Wiring Harness, 993	46928735
12*	Cylinder	See page 49
13	Gasket Kit, Outside (includes spindle, baseplate, and reader gaskets)	47260741
16*◇	Lever (less core), Schlage KIL	03-231
	Lever (less core), Schlage FSIC	03-232
	Lever (less core) Schlage SFIC	03-200
17*	Reader Module	See page 44
19√	Spring Cage Assembly (includes 2 screws)	47258545

No.	Description	Part No.	
21	USB Cover (10-piece bulk pack)	47258550	
32*◇	Baseplate Assembly, 993	47260739	
39	Spindle and Hub Kit	Tailpiece	46929295
		Clip, Tailpiece	
		Cover, Spindle, 993	
		Screw, Spindle Cover	
		Hub	
		Spring, Tailpiece, 993	
43◇	Baseplate Standoffs	See page 55	
46	Cable, USB	47253409	

\* Must specify finish.

\*\* See page 54 for wiring harness diagram.

◇ For competitor levers see page 47.

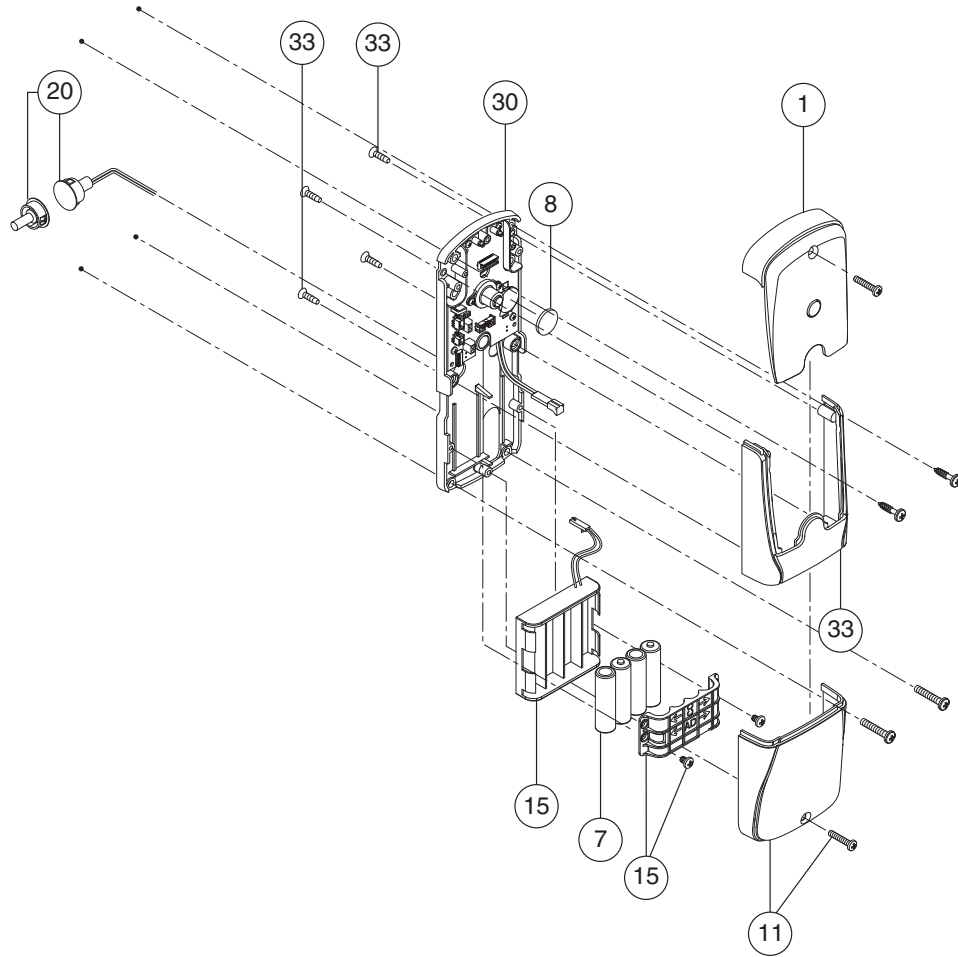
√ For competitor outside spring cages see page 48.

◆ This item only available as part of door thickness kit, see page 55.

\*◇ Must specify cylinder type and handing.

**Locks**

AD-200/250-993-M, Interior



No.	Description	Part No.	
1*	Cover, Hardwired/Offline	Cover, Hardwired/Offline	COM200C
		Screw, Cover (1)	
	Cover, Hardwired/Offline with IPB (Inside Push Button)	Cover, Hardwired/Offline with IPB (Inside Push Button)	COM200P
	Cover, Hardwired/Offline with Indicator	Screw, Cover (1)	
		Cover, Hardwired/Offline with Indicator	COM200L
		Screw, Cover (1)	
7	Batteries, AA (4), alkaline only	F206-488	

No.	Description	Part No.	
8	Lithium Battery	46929147	
11*	4AA Battery Cover	Cover, 4AA Battery	4C
		Screw, Battery Cover (1)	
15	4AA Battery Holder Kit	Holder, 4AA Battery	46929063
		Strap, 4AA Battery	
		Screws, Battery Strap (2)	
20	Door Position Switch	46929121	
30❖	Baseplate Assembly, 993	46929253	
33*	Escutcheon Assembly, 993 (includes 4 screws)	46929279	

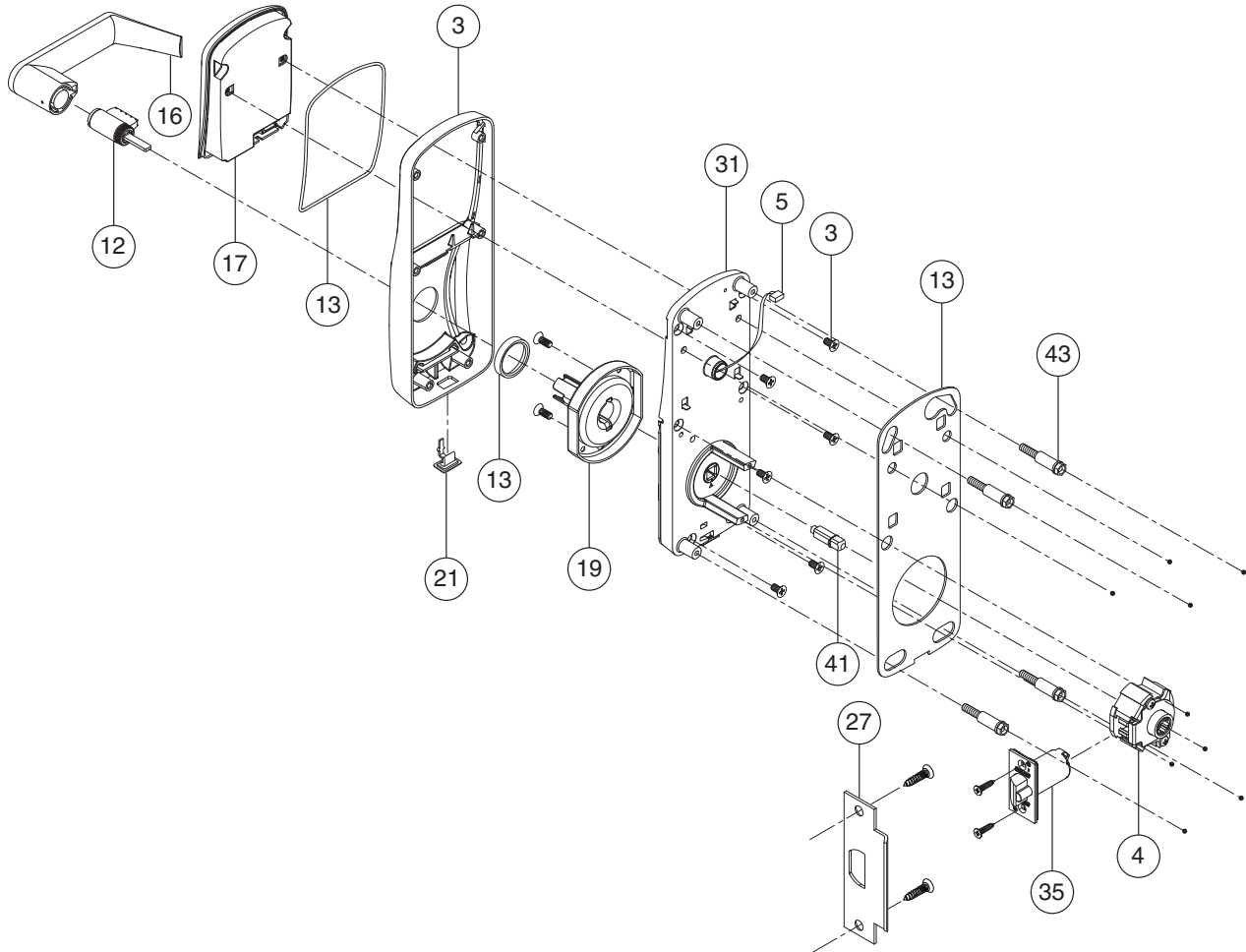
\* Must specify finish.

❖ Must specify device class and handing.

Note: For doors with existing large cutout, order exit device mounting hardware kit, see page 57.

## Locks

### AD-300-CY, Exterior



No.	Description	Part No.
3*	Escutcheon, CY (includes 6 screws)	46928743
4	Retractor, Latch, CY	46928800
5**	Wiring Harness, CY, MS, and MD	46928727
12*	Cylinder	See page 49
13	Gasket Kit, Outside (includes spindle, baseplate, and reader gaskets)	47260740
16*◇	Lever (less core), Schlage KIL	03-231
	Lever (less core), Schlage FSIC	03-232
	Lever (less core) Schlage SFIC	03-200

No.	Description	Part No.
17*	Reader Module	See page 44
19√	Spring Cage Assembly (includes 2 screws)	47258543
21	USB Cover (10-piece bulk pack)	46928719
27*	Strike (includes 2 screws)	See page 52
31◇	Baseplate Assembly, CY	47260732
35*	Latch Assembly (includes 2 screws)	13-247
41◆	Spindle	See page 56
43◆	Baseplate Standoffs	See page 55

\* Must specify finish.

\*\* See page 54 for wiring harness diagram.

◇ For competitor levers see page 47.

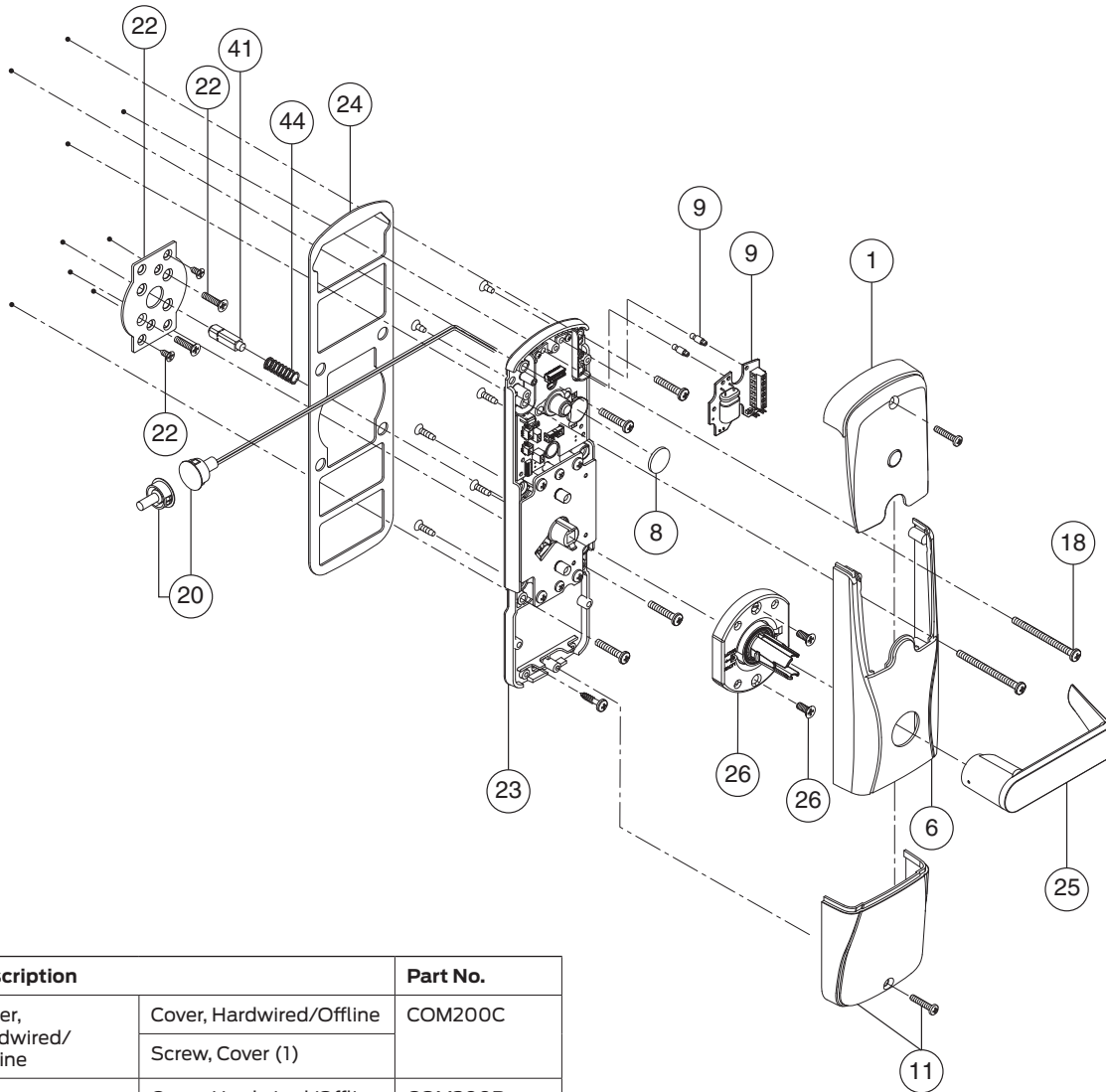
√ For competitor outside spring cages see page 48.

◆ This item only available as part of door thickness kit, see page 55.

◇ Must specify cylinder type and handing.

**Locks**

AD-300-CY, Interior



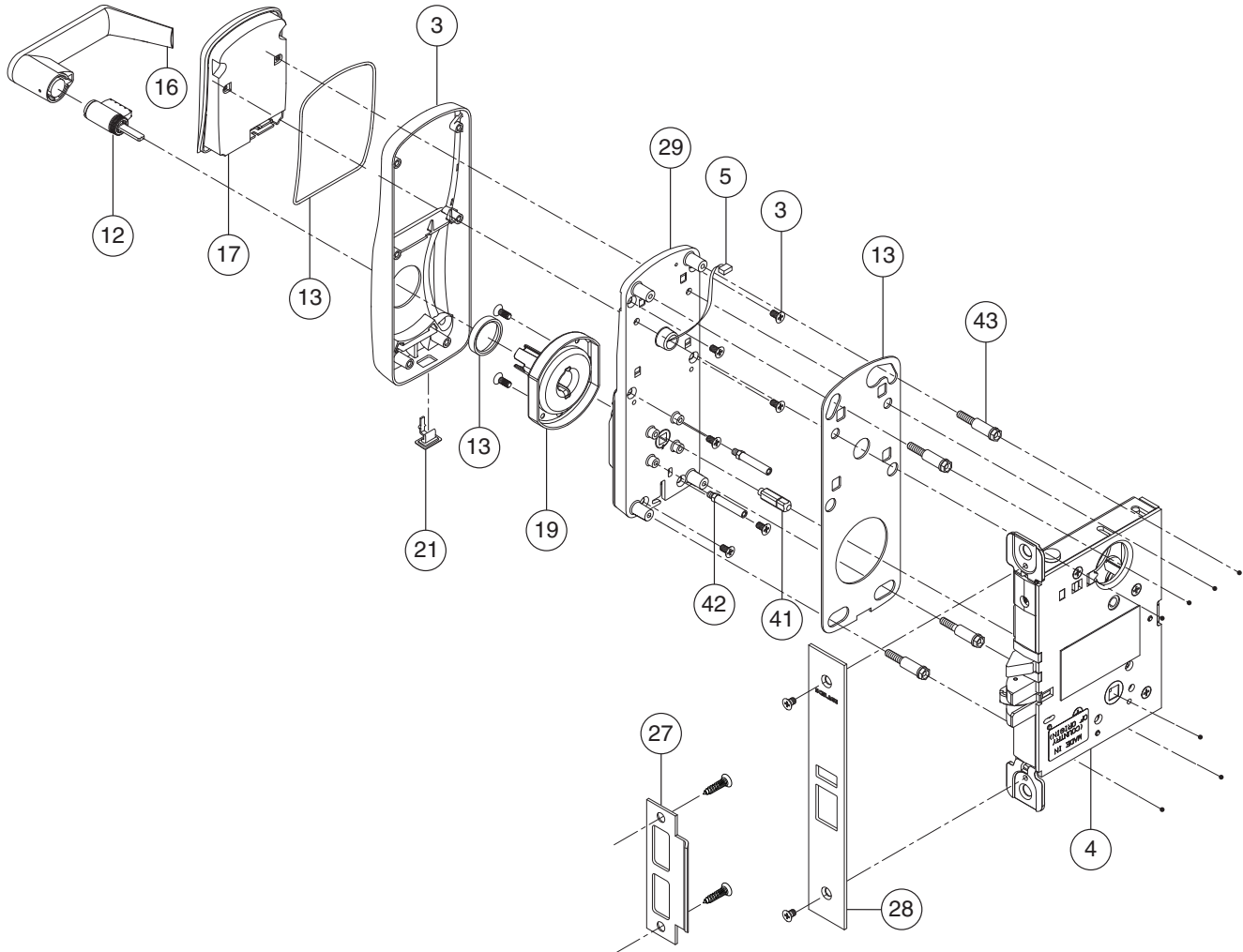
No.	Description	Part No.	
1*	Cover, Hardwired/Offline	Cover, Hardwired/Offline	COM200C
		Screw, Cover (1)	
	Cover, Hardwired/Offline with IPB (Inside Push Button)	COM200P	
	Screw, Cover (1)		
		Cover, Hardwired/Offline with Indicator	COM200L
	Screw, Cover (1)		
6*	Escutcheon Assembly, CY and MS (includes 6 screws)	46929014	
8	Lithium Battery	46929147	
9	Communication Module, Hardwired	Communication Module, Hardwired	46928958
		Standoffs, Communication Module	
11*	4AA Battery Cover	Cover, 4AA Battery	4C
		Screw, Battery Cover (1)	

No.	Description	Part No.	
18*	Reader Module Screws (page 56, Item B)	46928511	
20	Door Position Switch	46929121	
22	Alignment Plate Kit	Alignment Plate	46929030
		Screws, Surface Mount	
		Screws, Alignment Plate	
23*	Baseplate Assembly, CY, MS, and MD	47261347	
24	Gasket, Baseplate, CY, MS, and MD	46928982	
25*	Lever	03-230	
26	Spring Cage Assembly (includes 2 screws)	47260743	
41♦	Spindle	See page 56	
44	Spindle Spring	44484996	

- \* Must specify finish.
- ♦ This item only available as part of door thickness kit, see page 55.
- ❖ Must specify device class and handing.

## Locks

### AD-300-MS, Exterior



No.	Description	Part No.
3*	Escutcheon, MS, MD (includes 6 screws)	46928743
4	Lock Case, Narrow, 1 $\frac{1}{16}$ " wide	46928818
	Lock Case, 1 $\frac{1}{4}$ " wide	46928826
5**	Wiring Harness, CY, MS, and MD	46928727
12*	Cylinder	See page 49
13	Gasket Kit, Outside (includes spindle, baseplate, and reader gaskets)	47260740
16*◇	Lever (less core), Schlage KIL	03-231
	Lever (less core), Schlage FSIC	03-232
	Lever (less core) Schlage SFIC	03-200

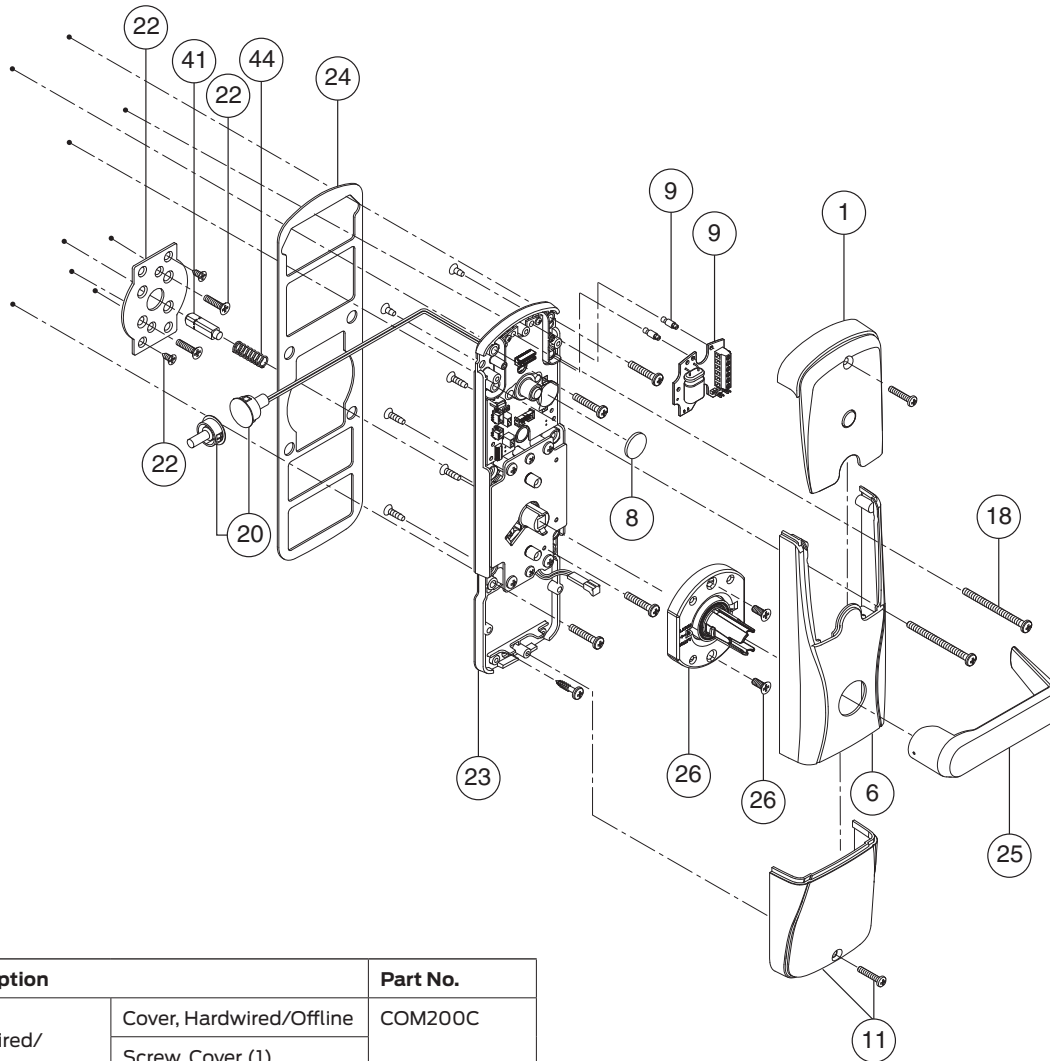
No.	Description	Part No.	
17*	Reader Module	See page 44	
19√	Spring Cage Assembly (includes 2 screws)	47258543	
21	USB Cover (10-piece bulk pack)	46928719	
27*	Strike (includes 2 screws)	See page 52	
28*	Armor Front, MS (includes 2 screws)	1 $\frac{1}{4}$ " Wide	09-663
		1 $\frac{1}{16}$ " Wide	09-669
29◇	Baseplate Assembly, MS	47260738	
41◇	Spindle	See page 56	
42◇	Mortise Stand-Offs	See page 55	
43◇	Baseplate Standoffs	See page 55	

- \* Must specify finish.
- \*\* See page 54 for wiring harness diagram.
- ◇ For competitor levers see page 47.
- √ For competitor outside spring cages see page 48.
- ◆ This item only available as part of door thickness kit, see page 55.
- ◇ Must specify cylinder type and handing.



# Locks

## AD-300-MS, Interior



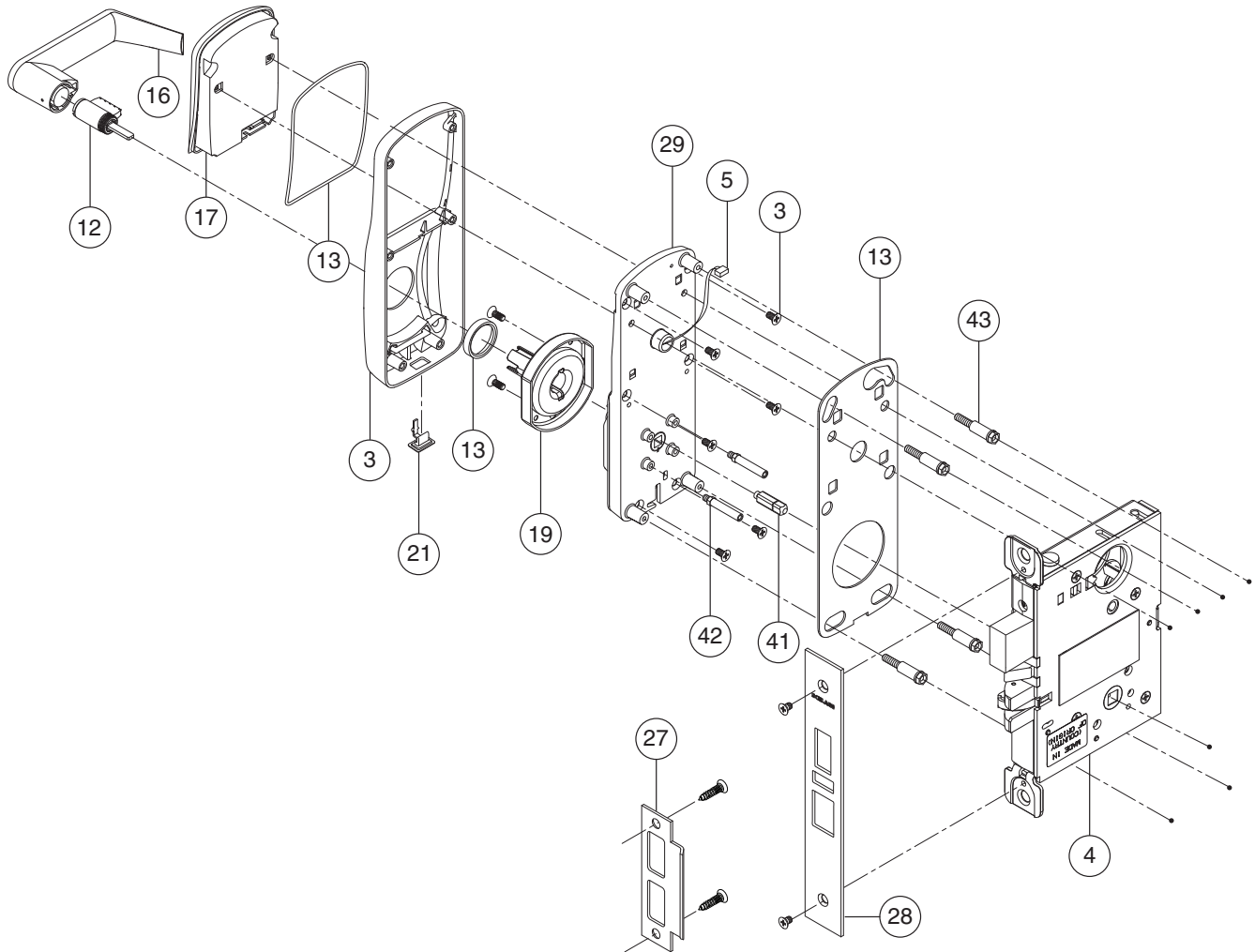
No.	Description		Part No.
1*	Cover, Hardwired/Offline	Cover, Hardwired/Offline	COM200C
		Screw, Cover (1)	
	Cover, Hardwired/Offline with IPB (Inside Push Button)	Cover, Hardwired/Offline with IPB (Inside Push Button)	COM200P
Screw, Cover (1)			
Cover, Hardwired/Offline with Indicator	Cover, Hardwired/Offline with Indicator	COM200L	
	Screw, Cover (1)		
6*	Escutcheon Assembly, CY and MS (includes 6 screws)		46929014
8	Lithium Battery		46929147
9	Communication Module, Hardwired	Communication Module, Hardwired	46928958
		Standoffs, Communication Module	
11*	4AA Battery Cover	Cover, 4AA Battery	4C
		Screw, Battery Cover (1)	

No.	Description		Part No.
18	Reader Module Screws (page 56, Item B)		46928511
20	Door Position Switch		46929121
22	Alignment Plate Kit	Alignment Plate	46929030
		Screws, Surface Mount	
		Screws, Alignment Plate	
23❖	Baseplate Assembly, CY, MS, and MD		47261347
24	Gasket, Baseplate, CY, MS, and MD		46928982
25*	Lever		03-230
26	Spring Cage Assembly (includes 2 screws)		47260743
41♦	Spindle		See page 56
44	Spindle Spring		44484996

- \* Must specify finish.
- ♦ This item only available as part of door thickness kit, see page 55.
- ❖ Must specify device class and handing.

## Locks

### AD-300-MD, Exterior



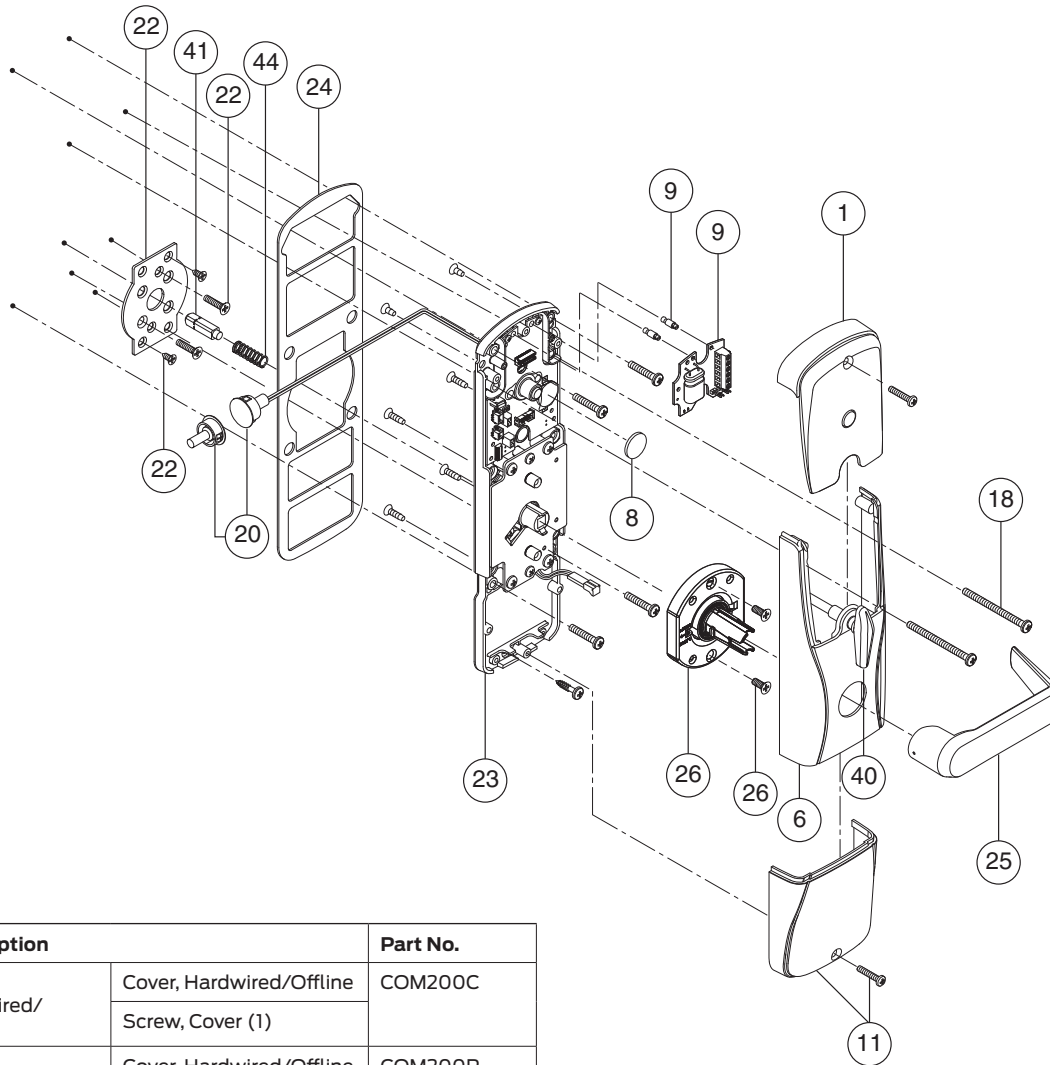
No.	Description	Part No.
3*	Escutcheon, MS, MD (includes 6 screws)	46928743
4	Lock Case, Deadbolt, Narrow 1 $\frac{1}{16}$ " wide	46928834
	Lock Case, Deadbolt, 1 $\frac{1}{4}$ " wide	46928842
5**	Wiring Harness, CY, MS, and MD	46928727
12*	Cylinder	See page 49
13	Gasket Kit, Outside (includes spindle, baseplate, and reader gaskets)	47260740
16*◇	Lever (less core), Schlage KIL	03-231
	Lever (less core), Schlage FSIC	03-232
	Lever (less core) Schlage SFIC	03-200

No.	Description	Part No.	
17*	Reader Module	See page 44	
19√	Spring Cage Assembly (includes 2 screws)	47258543	
21	USB Cover (10-piece bulk pack)	46928719	
27*	Strike (includes 2 screws)	See page 52	
28*	Armor Front, MS (includes 2 screws)	1 $\frac{1}{4}$ " Wide	09-666
		1 $\frac{1}{16}$ " Wide	09-672
29◇	Baseplate Assembly, MS	47260738	
41◇	Spindle	See page 56	
42◇	Mortise Stand-Offs	See page 55	
43◇	Baseplate Standoffs	See page 55	

- \* Must specify finish.
- \*\* See page 54 for wiring harness diagram.
- ◇ For competitor levers see page 47.
- √ For competitor outside spring cages see page 48.
- ◆ This item only available as part of door thickness kit, see page 55.
- ◇ Must specify cylinder type and handing.

Locks

AD-300-MD, Interior



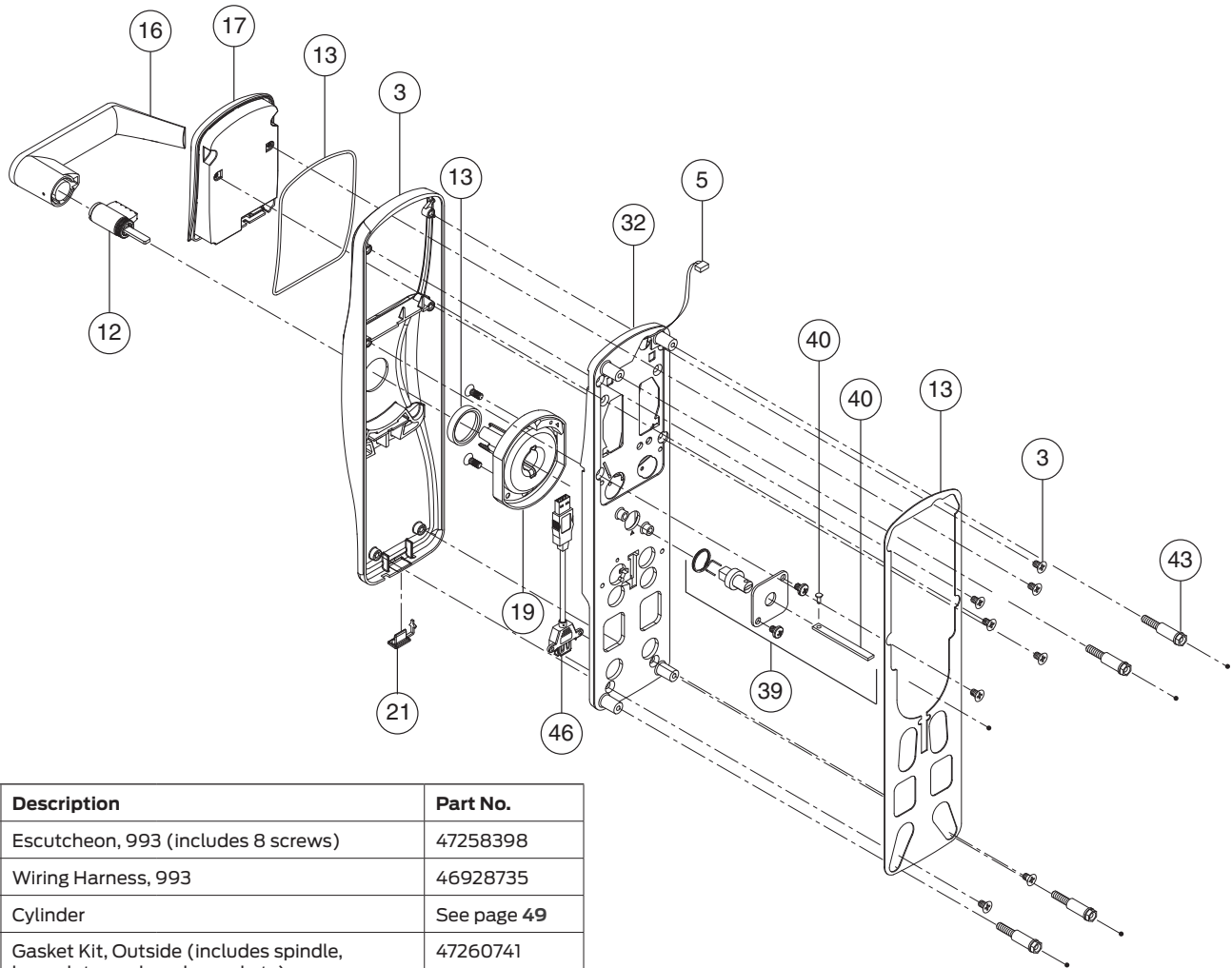
No.	Description		Part No.
1*	Cover, Hardwired/Offline	Cover, Hardwired/Offline	COM200C
		Screw, Cover (1)	
	Cover, Hardwired/Offline with IPB (Inside Push Button)	Cover, Hardwired/Offline with IPB (Inside Push Button)	COM200P
6*	Escutcheon Assembly, MD (includes 6 screws)	Screw, Cover (1)	
		Cover, Hardwired/Offline with Indicator	COM200L
8	Lithium Battery		46929147
9	Communication Module, Hardwired	Communication Module, Hardwired	46928958
		Standoffs, Communication Module	
11*	4AA Battery Cover	Cover, 4AA Battery	4C
		Screw, Battery Cover (1)	
18	Reader Module Screws (page 56, Item B)		46928511

No.	Description		Part No.
20	Door Position Switch		46929121
22	Alignment Plate Kit	Alignment Plate	46929030
		Screws, Surface Mount	
		Screws, Alignment Plate	
23❖	Baseplate Assembly, CY, MS, and MD		47261347
24	Gasket, Baseplate, CY, MS, and MD		46928982
25*	Lever		03-230
26	Spring Cage Assembly (includes 2 screws)		47260743
40*	Thumbturn, Deadbolt		46929113
41♦	Spindle		See page 56
44	Spindle Spring		44484996

- \* Must specify finish.
- ♦ This item only available as part of door thickness kit, see page 55.
- ❖ Must specify device class and handing.

## Locks

### AD-300-993-R, Exterior



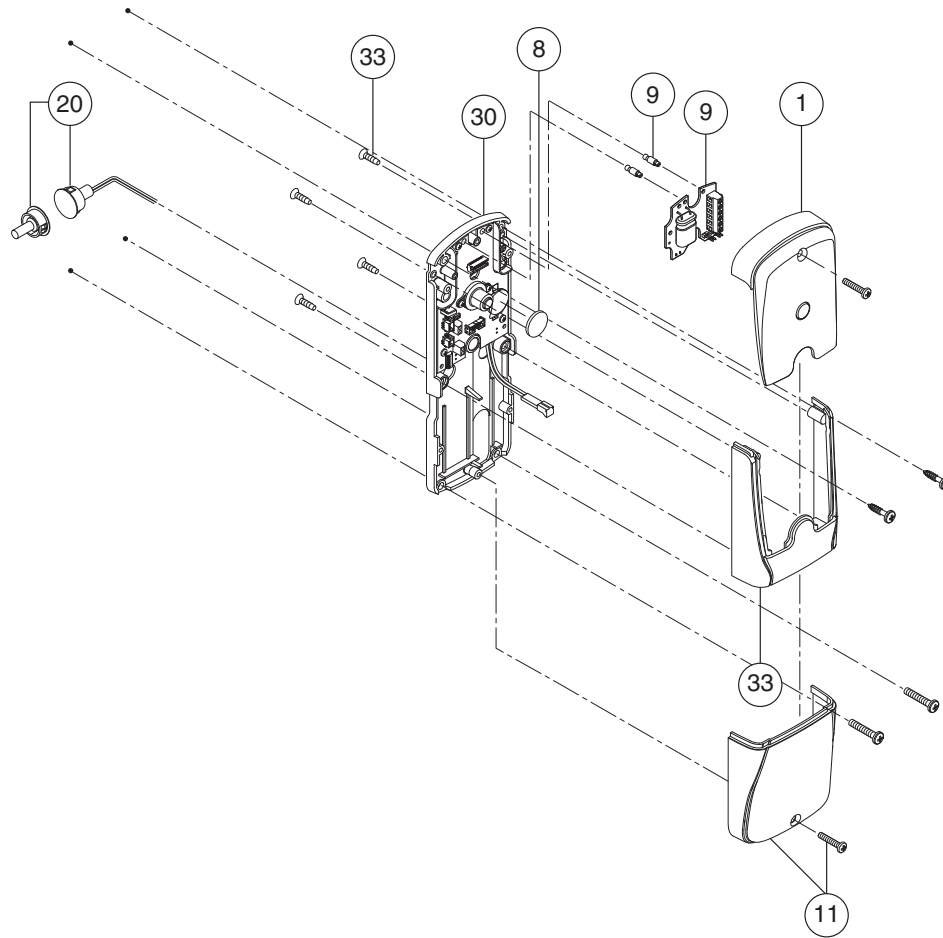
No.	Description	Part No.
3*	Escutcheon, 993 (includes 8 screws)	47258398
5**	Wiring Harness, 993	46928735
12*	Cylinder	See page 49
13	Gasket Kit, Outside (includes spindle, baseplate, and reader gaskets)	47260741
16*◇	Lever (less core), Schlage KIL	03-231
	Lever (less core), Schlage FSIC	03-232
	Lever (less core) Schlage SFIC	03-200
17*	Reader Module	See page 44
19√	Spring Cage Assembly (includes 2 screws)	47258545
21	USB Cover (10-piece bulk pack)	47258550
32*❖	Baseplate Assembly, 993	47260739
39	Spindle and Hub Kit	46929295
	Tailpiece,	
	Clip, Tailpiece	
	Cover, Spindle, 993	
	Screw, Spindle Cover	
	Hub	
	Spring, Tailpiece, 993	

No.	Description	Part No.
40	Tailpiece	46929303
	Tailpiece	
	Pine Tree Clip	
43◆	Baseplate Standoffs	See page 55
46	Cable, USB	47253409

- \* Must specify finish.
- \*\* See page 54 for wiring harness diagram.
- ◇ For competitor levers see page 47.
- √ For competitor outside spring cages see page 48.
- ◆ This item only available as part of door thickness kit, see page 55.
- ❖ Must specify cylinder type and handing.

**Locks**

AD-300-993-R, Interior



No.	Description		Part No.
1*	Cover, Hardwired/Offline	Cover, Hardwired/Offline	COM200C
		Screw, Cover (1)	
	Cover, Hardwired/Offline with IPB (Inside Push Button)	Cover, Hardwired/Offline with IPB (Inside Push Button)	COM200P
8	Lithium Battery	Screw, Cover (1)	46929147
		Cover, Hardwired/Offline with Indicator	
		Screw, Cover (1)	

No.	Description		Part No.
9	Communication Module, Hardwired	Communication Module, Hardwired	46928958
		Standoffs, Communication Module	
11*	4AA Battery Cover	Cover, 4AA Battery	4C
		Screw, Battery Cover (1)	
20	Door Position Switch		46929121
30❖	Baseplate Assembly, 993		46929253
33*	Escutcheon Assembly, 993 (includes 4 screws)		46929279

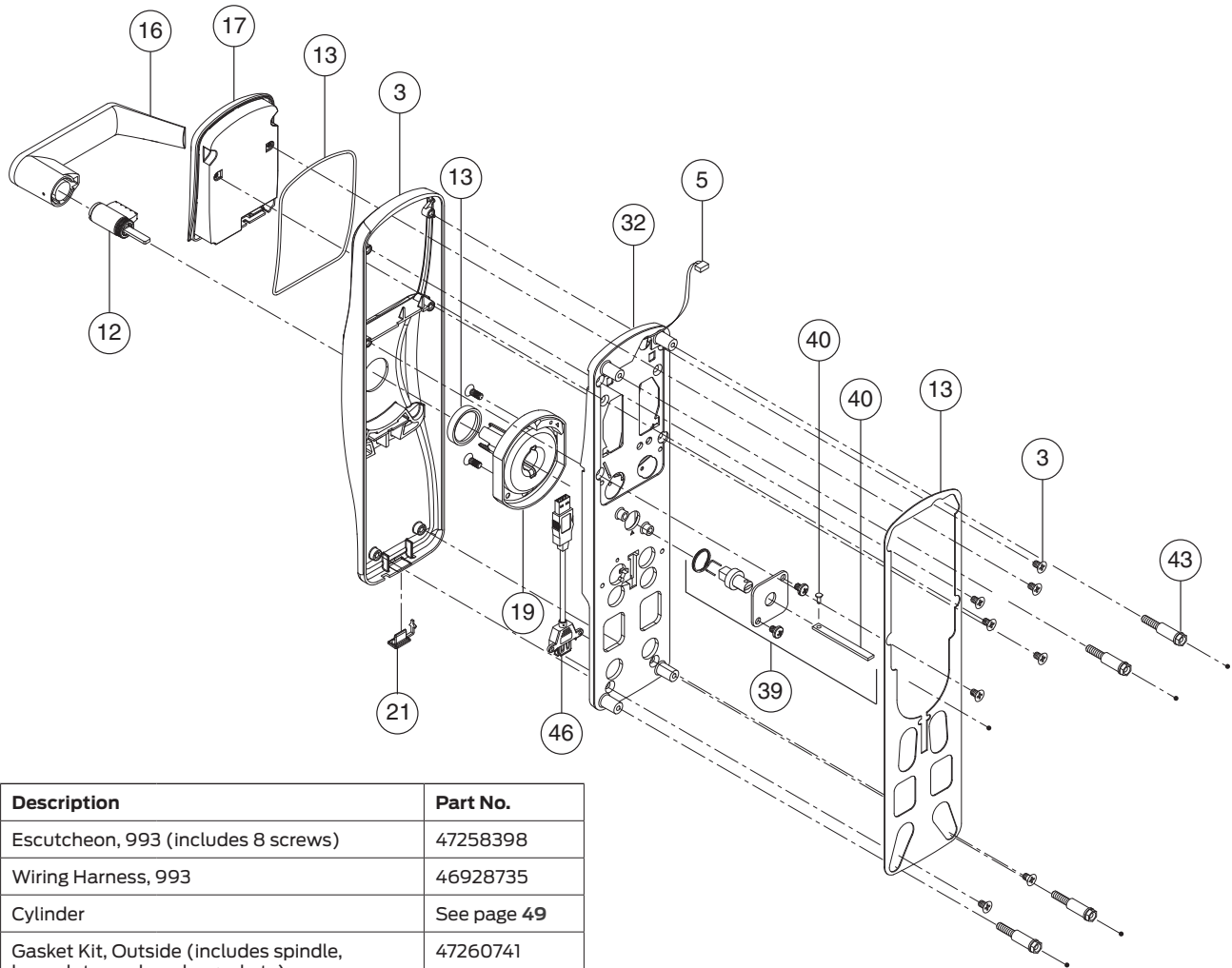
\* Must specify finish.

❖ Must specify device class and handing.

Note: For doors with existing large cutout, order exit device mounting hardware kit, see page 57.

## Locks

### AD-300-993-S, Exterior



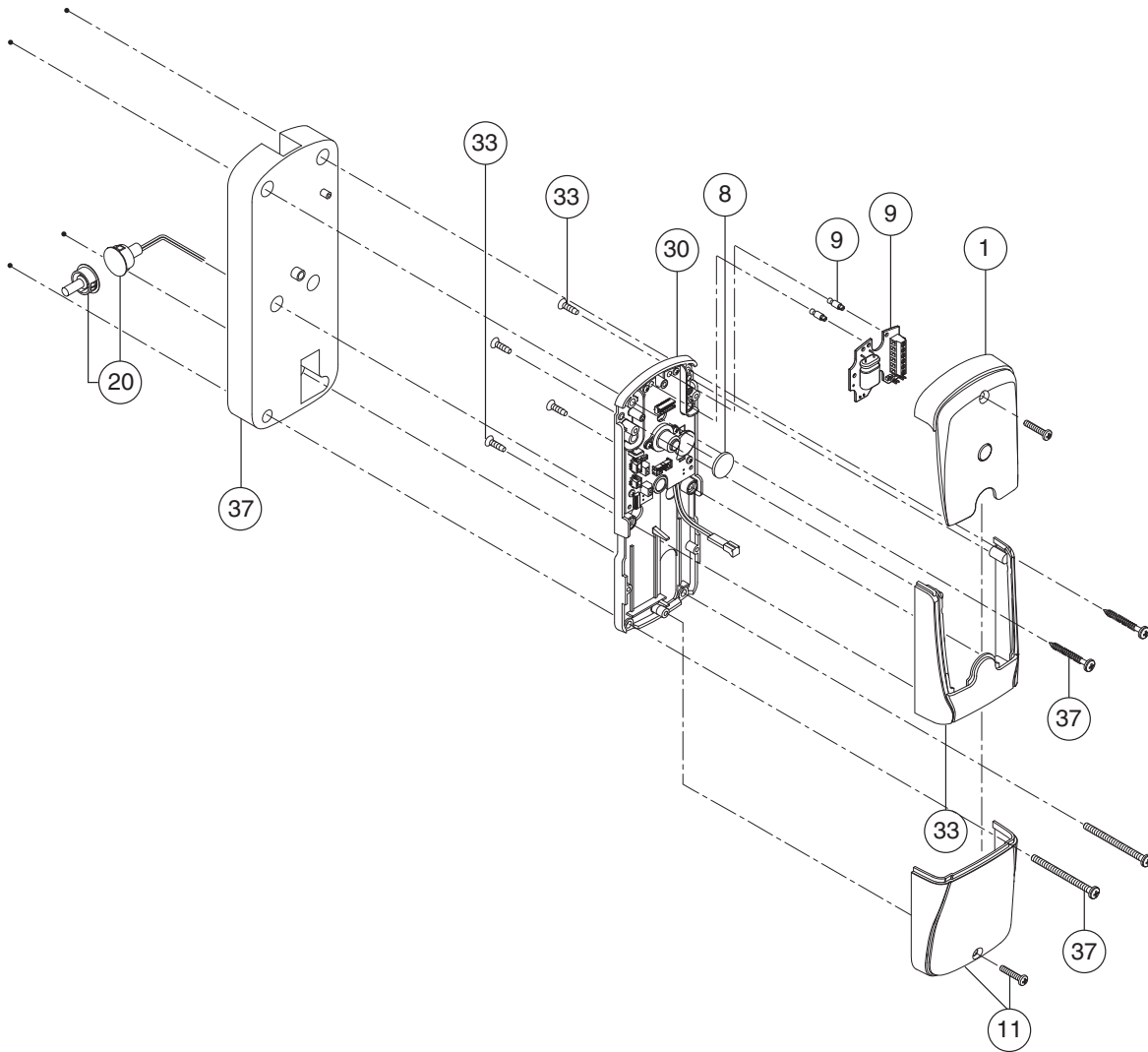
No.	Description	Part No.
3*	Escutcheon, 993 (includes 8 screws)	47258398
5**	Wiring Harness, 993	46928735
12*	Cylinder	See page 49
13	Gasket Kit, Outside (includes spindle, baseplate, and reader gaskets)	47260741
16*◇	Lever (less core), Schlage KIL	03-231
	Lever (less core), Schlage FSIC	03-232
	Lever (less core) Schlage SFIC	03-200
17*	Reader Module	See page 44
19√	Spring Cage Assembly (includes 2 screws)	47258545
21	USB Cover (10-piece bulk pack)	47258550
32❖	Baseplate Assembly, 993	47260739
39	Spindle and Hub Kit	46929295
	Tailpiece	
	Clip, Tailpiece	
	Cover, Spindle, 993	
	Screw, Spindle Cover	
	Hub	
	Spring, Tailpiece, 993	

No.	Description	Part No.
40	Tailpiece Kit	46929303
	Tailpiece	
	Pine Tree Clip	
43◆	Baseplate Standoffs	See page 55
46	Cable, USB	47253409

- \* Must specify finish.
- \*\* See page 54 for wiring harness diagram.
- ◇ For competitor levers see page 47.
- √ For competitor outside spring cages see page 48.
- ◆ This item only available as part of door thickness kit, see page 55.
- ❖ Must specify cylinder type and handing.

**Locks**

**AD-300-993-S, Interior**



No.	Description		Part No.
1*	Cover, Hardwired/Offline	Cover, Hardwired/Offline	COM200C
		Screw, Cover (1)	
	Cover, Hardwired/Offline with IPB (Inside Push Button)	Cover, Hardwired/Offline with IPB (Inside Push Button)	COM200P
	Cover, Hardwired/Offline with Indicator	Cover, Hardwired/Offline with Indicator	COM200L
		Screw, Cover (1)	
8	Lithium Battery		46929147

No.	Description		Part No.
9	Communication Module, Hardwired	Communication Module, Hardwired	46928958
		Standoffs, Communication Module	
11*	4AA Battery Cover	Cover, 4AA Battery	4C
		Screw, Battery Cover (1)	
20	Door Position Switch		46929121
30❖	Baseplate Assembly, 993		46929253
33*	Escutcheon Assembly, 993 (includes 4 screws)		46929279
37	Spacer, Inside Baseplate, S	Spacer, Baseplate	46929238
		Screws, Baseplate	
		Screws, Surface Mount	

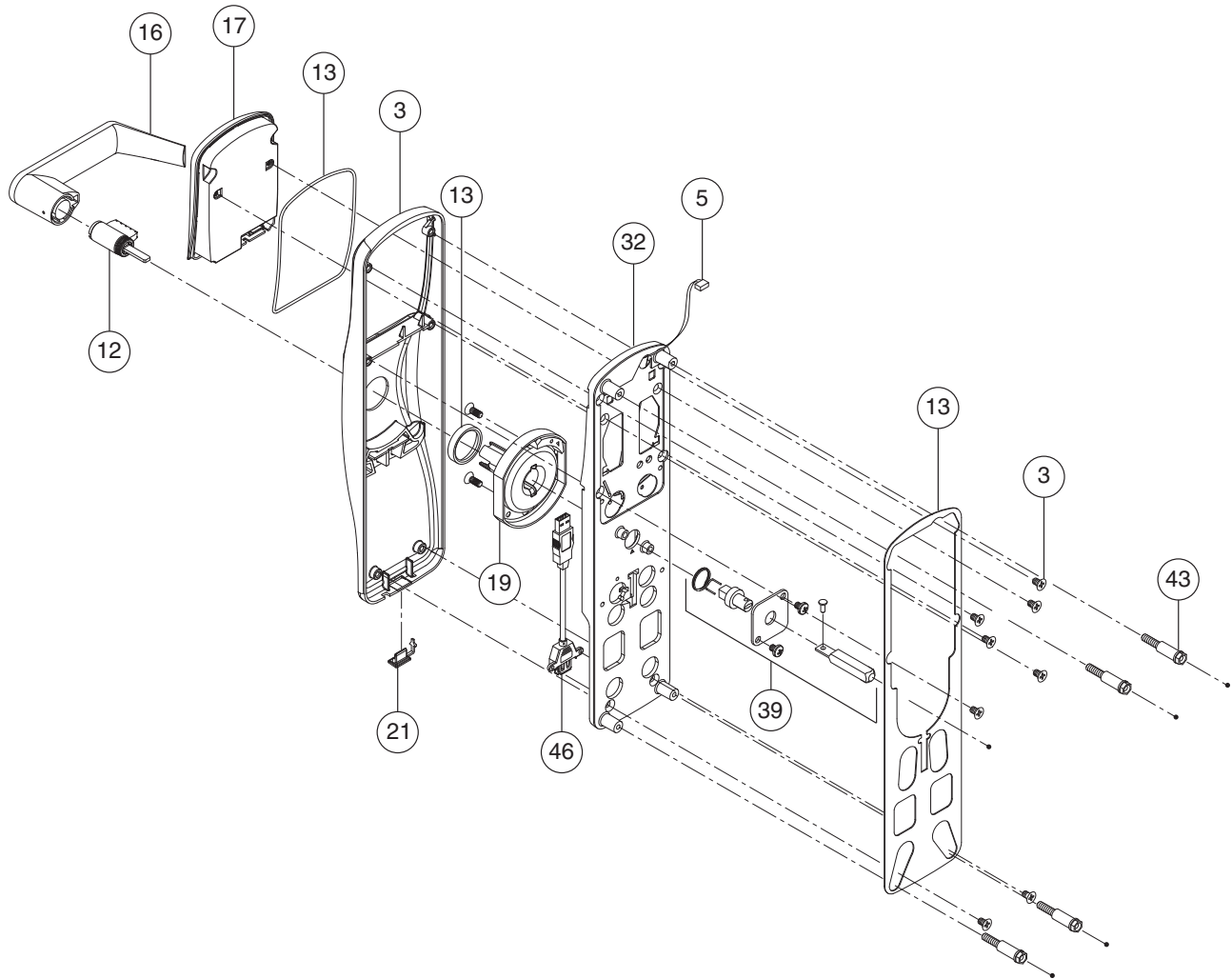
\* Must specify finish.

❖ Must specify device class and handing.

Note: For doors with existing large cutout, order exit device mounting hardware kit, see page 57.

## Locks

### AD-300-993-M, Exterior



No.	Description	Part No.
3*	Escutcheon, 993 (includes 8 screws)	47258398
5**	Wiring Harness, 993	46928735
12*	Cylinder	See page 49
13	Gasket Kit, Outside (includes spindle, baseplate, and reader gaskets)	47260741
16*◇	Lever (less core), Schlage KIL	03-231
	Lever (less core), Schlage FSIC	03-232
	Lever (less core) Schlage SFIC	03-200
17*	Reader Module	See page 44
19√	Spring Cage Assembly (includes 2 screws)	47258545

No.	Description	Part No.	
21	USB Cover (10-piece bulk pack)	47258550	
32*◇	Baseplate Assembly, 993	47260739	
39	Spindle and Hub Kit	Tailpiece	46929295
		Clip, Tailpiece	
		Cover, Spindle, 993	
		Screw, Spindle Cover	
		Hub	
		Spring, Tailpiece, 993	
43◇	Baseplate Standoffs	See page 55	
46	Cable, USBq	47253409	

\* Must specify finish.

\*\* See page 54 for wiring harness diagram.

◇ For competitor levers see page 47.

√ For competitor outside spring cages see page 48.

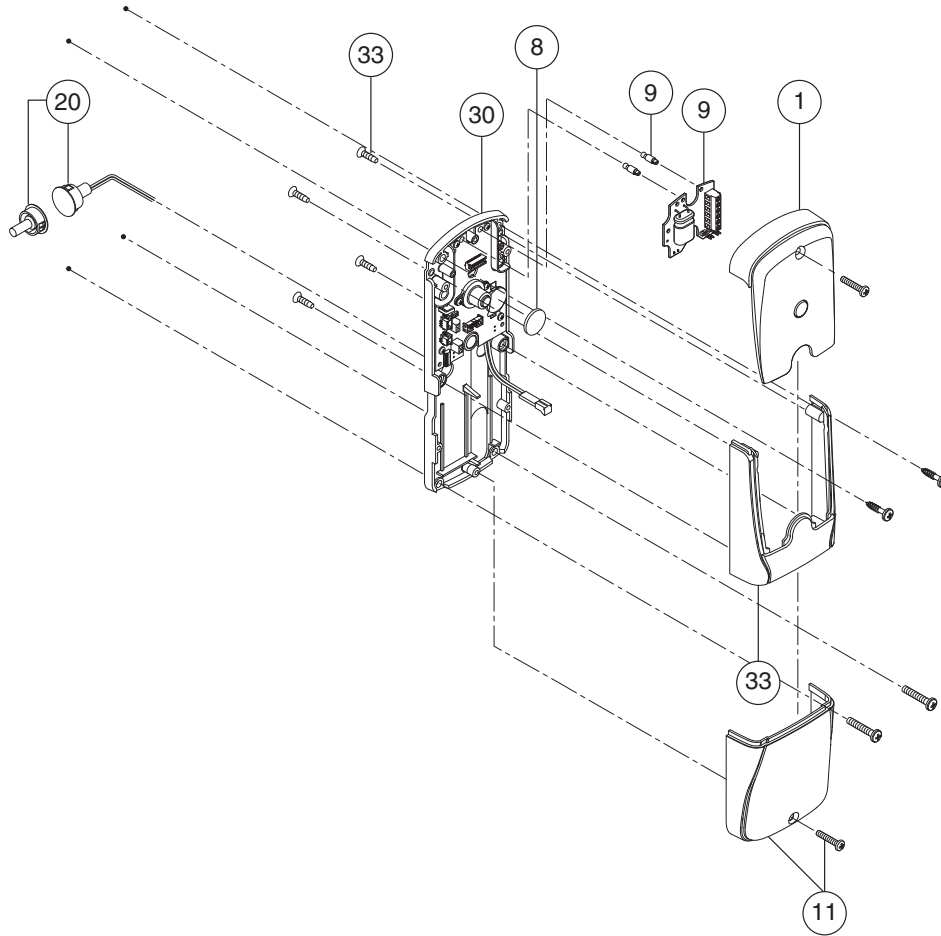
◆ This item only available as part of door thickness kit, see page 55.

\*◇ Must specify cylinder type and handing.



**Locks**

AD-300-993-M, Interior



No.	Description		Part No.
1*	Cover, Hardwired/Offline	Cover, Hardwired/Offline	COM200C
		Screw, Cover (1)	
	Cover, Hardwired/Offline with IPB (Inside Push Button)	Cover, Hardwired/Offline with IPB (Inside Push Button)	COM200P
		Screw, Cover (1)	
	Cover, Hardwired/Offline with Indicator	Cover, Hardwired/Offline with Indicator	COM200L
		Screw, Cover (1)	

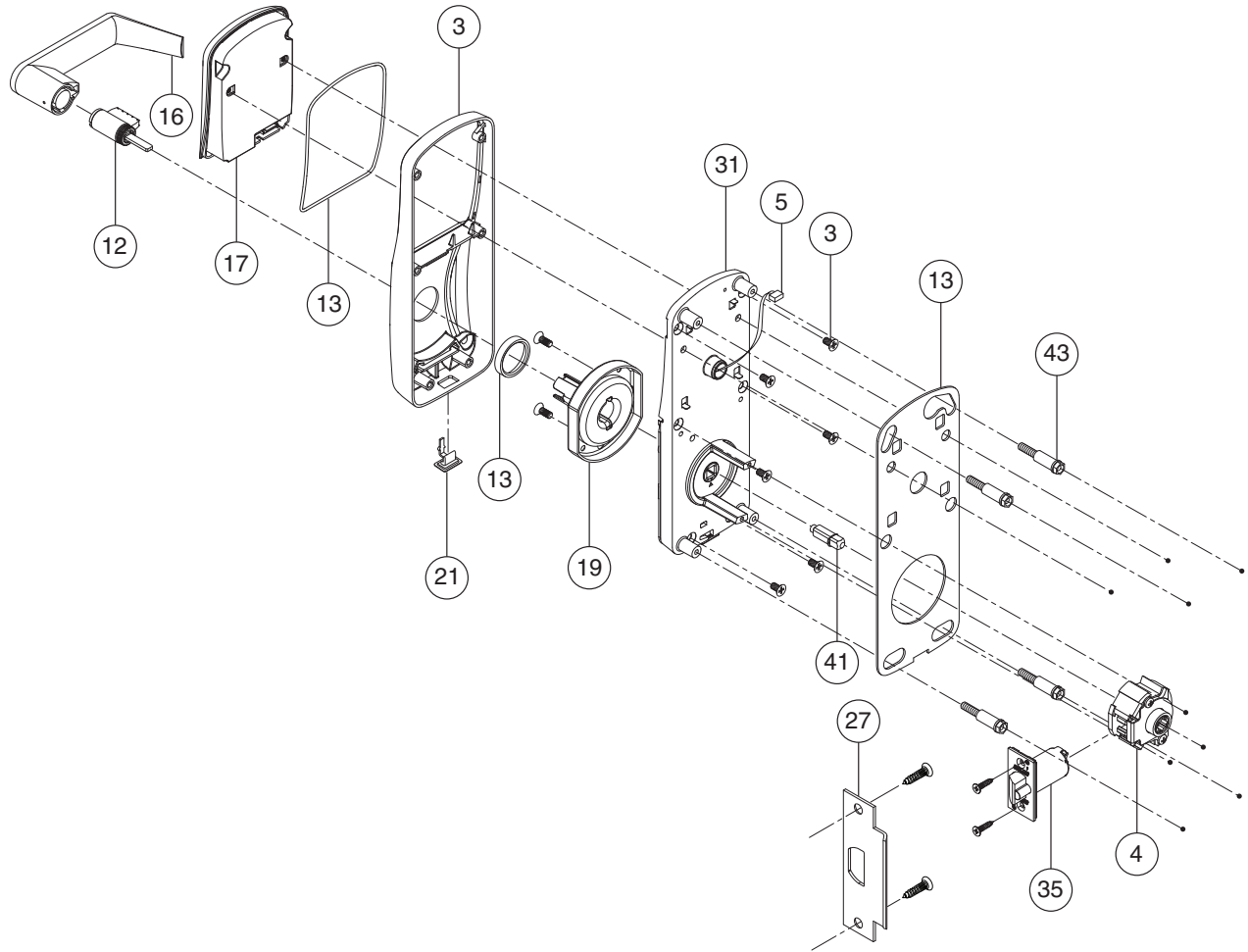
No.	Description		Part No.
9	Communication Module, Hardwired	Communication Module, Hardwired	46928958
		Standoffs, Communication Module	
8	Lithium Battery		46929147
11*	4AA Battery Cover	Cover, 4AA Battery	4C
		Screw, Battery Cover (1)	
20	Switch, Door Position		46929121
30*	Baseplate Assembly, 993		46929253
33*	Escutcheon Assembly, 993 (includes 4 screws)		46929279

\* Must specify finish.

❖ Must specify device class and handing. Note: For doors with existing large cutout, order exit device mounting hardware kit, see page 57.

## Locks

### AD-400-CY, Exterior



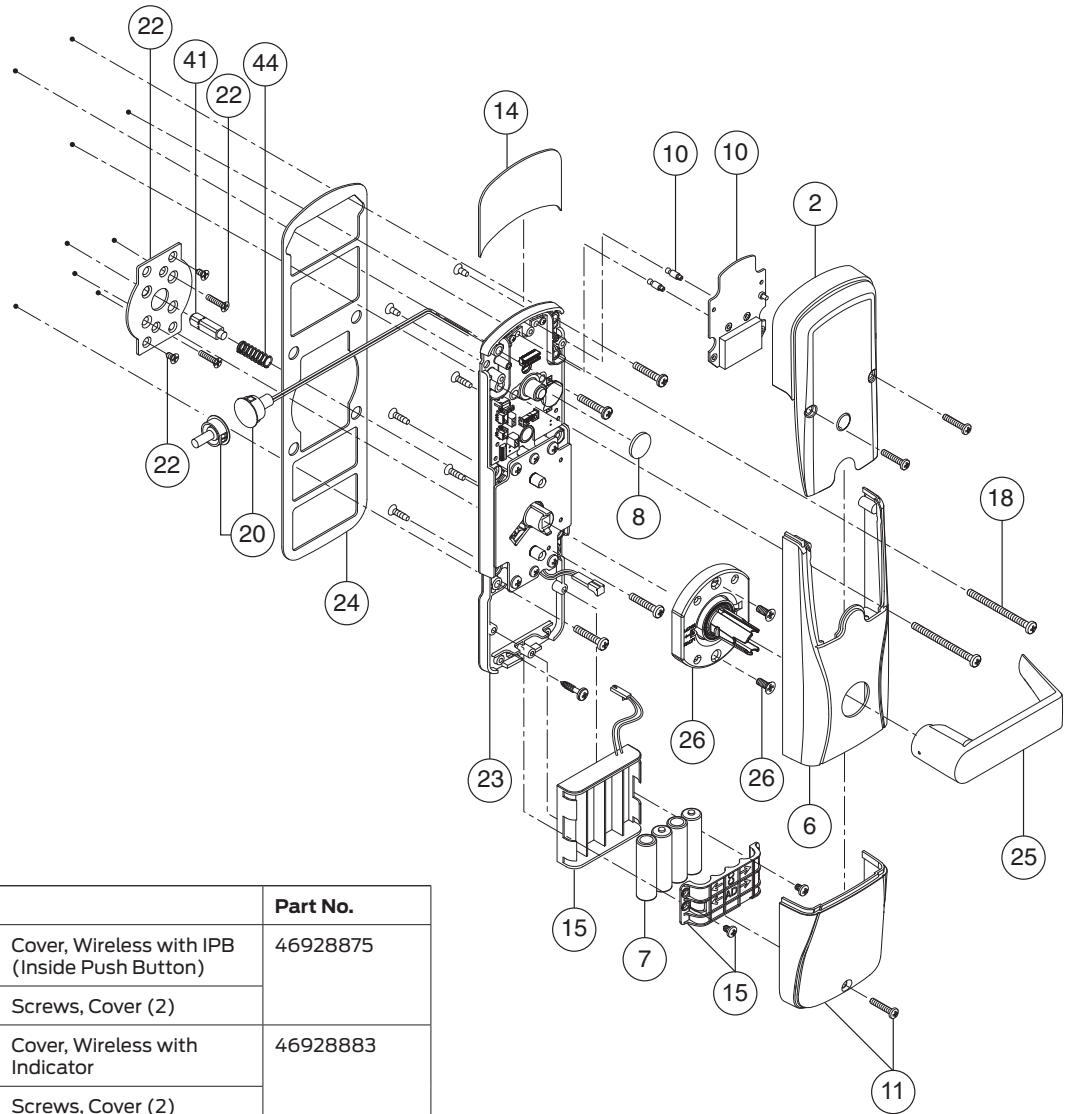
No.	Description	Part No.
3*	Escutcheon, CY	46928743
4	Retractor, Latch, CY	46928800
5**	Wiring Harness, CY, MS, and MD	46928727
12*	Cylinder	See page 49
13	Gasket Kit, Outside (includes spindle, baseplate, and reader gaskets)	47260740
16*◇	Lever (less core), Schlage KIL	03-231
	Lever (less core), Schlage FSIC	03-232
	Lever (less core) Schlage SFIC	03-200

No.	Description	Part No.
17*	Reader Module	See page 44
19✓	Spring Cage Assembly (includes 2 screws)	47258543
21	USB Cover (10-piece bulk pack)	46928719
27*	Strike (includes 2 screws)	See page 52
31✦	Baseplate Assembly, CY	47260732
35*	Latch Assembly (includes 2 screws)	13-247
41◇	Spindle	See page 56
43◆	Baseplate Standoffs	See page 55

- \* Must specify finish.
- \*\* See page 54 for wiring harness diagram.
- ◇ For competitor levers see page 47.
- \* This item only available as part of door thickness kit.
- ✓ For competitor outside spring cages see page 48.
- ◆ This item only available as part of door thickness kit, see page 55.
- ✦ Must specify cylinder type and handing.

**Locks**

AD-400-CY, Interior



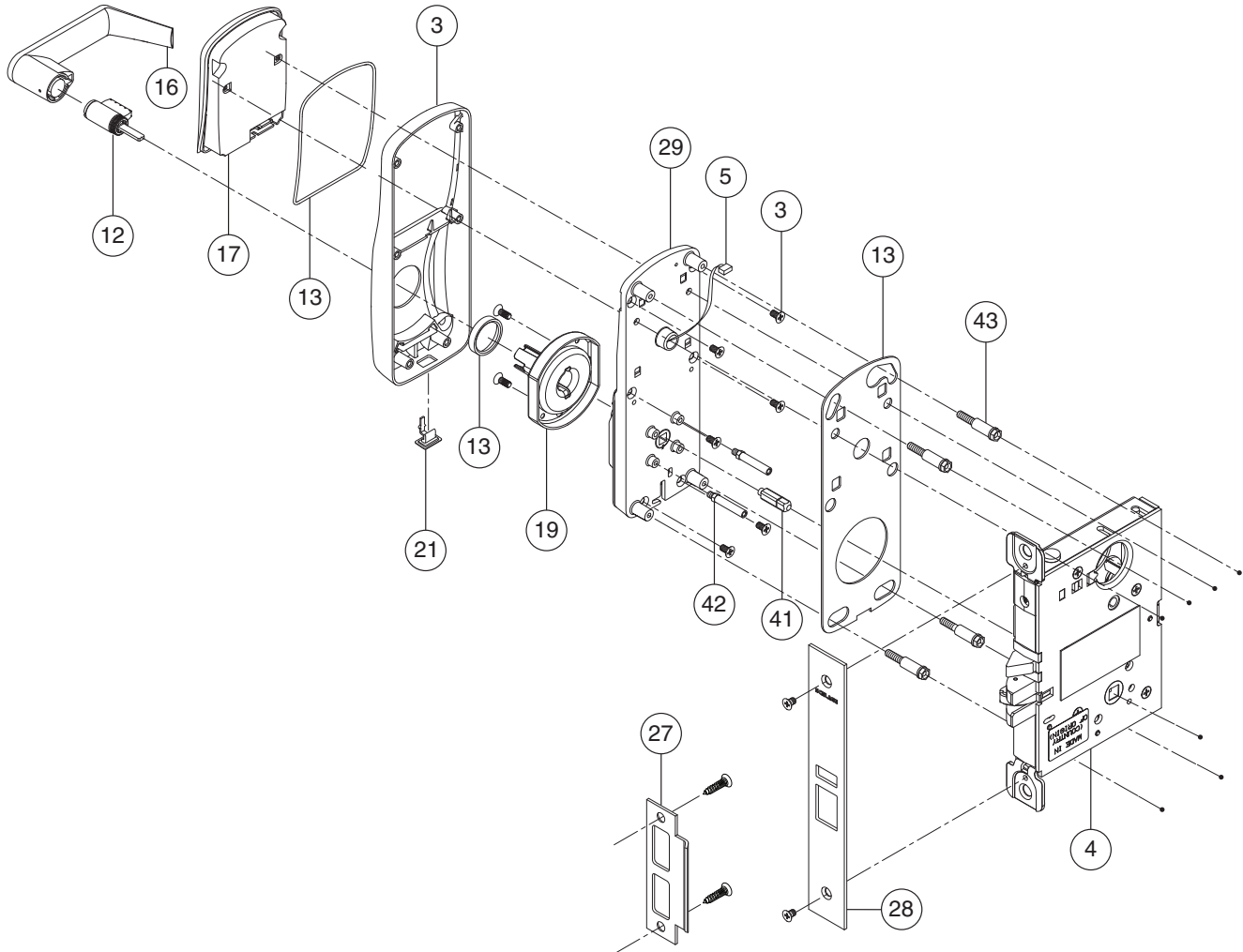
No.	Description		Part No.
2*	Cover, Wireless with IPB (Inside Push Button)	Cover, Wireless with IPB (Inside Push Button)	46928875
		Screws, Cover (2)	
	Cover, Wireless with Indicator	Cover, Wireless with Indicator	46928883
		Screws, Cover (2)	
6*	Escutcheon Assembly, CY and MS (includes 6 screws)		46929014
7	Batteries, AA (4), alkaline only		F206-488
8	Lithium Battery		46929147
10	Communication Module, Wireless	Communication Module, Wireless	46928941
		Standoffs, Communication Module	
11*	4AA Battery Cover	Cover, 4AA Battery	4C
		Screw, Battery Cover (1)	
14	Gasket, Foil		46928974
15	4AA Battery Holder Kit	Holder, 4AA Battery	46929063
		Strap, Battery	
		Screws, Battery Strap (2)	

No.	Description	Part No.	
18	Reader Module Screws (page 56, Item B)	46928511	
20	Door Position Switch	46929121	
22	Alignment Plate Kit	Alignment Plate	46929030
		Screws, Surface Mount	
		Screws, Alignment Plate	
23❖	Baseplate Assembly, CY, MS, and MD	47261347	
24	Gasket, Baseplate, CY, MS, and MD	46928982	
25*	Lever	03-230	
26	Spring Cage Assembly (includes 2 screws)	47260743	
41♦	Spindle	See page 56	
44	Spindle Spring	44484996	

- \* Must specify finish.
- ♦ This item only available as part of door thickness kit, see page 55.
- ❖ Must specify device class and handing.

## Locks

### AD-400-MS, Exterior



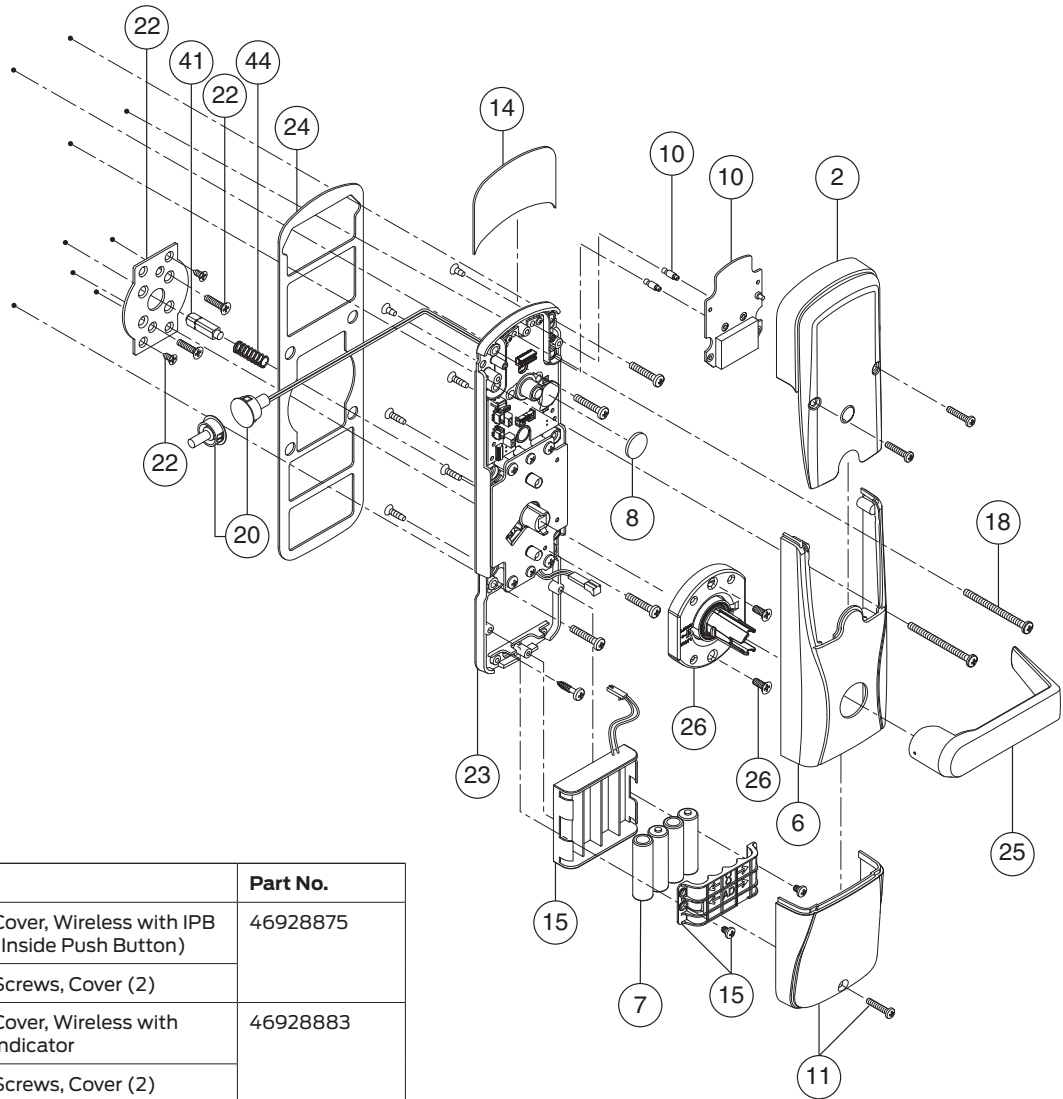
No.	Description	Part No.
3*	Escutcheon, MS, MD	46928743
4	Lock Case, Narrow, 1 $\frac{1}{16}$ " wide	46928818
	Lock Case, 1 $\frac{1}{4}$ " wide	46928826
5**	Wiring Harness, CY, MS, and MD	46928727
12*	Cylinder	See page 49
13	Gasket Kit, Outside (includes spindle, baseplate, and reader gaskets)	47260740
16*◇	Lever (less core), Schlage KIL	03-231
	Lever (less core), Schlage FSIC	03-232
	Lever (less core) Schlage SFIC	03-200

No.	Description	Part No.	
17*	Reader Module	See page 44	
19√	Spring Cage Assembly (includes 2 screws)	47258543	
21	USB Cover (10-piece bulk pack)	46928719	
27*	Strike (includes 2 screws)	See page 52	
28*	Armor Front, MS (includes 2 screws)	1 $\frac{1}{4}$ " Wide	09-663
		1 $\frac{1}{16}$ " Wide	09-669
29◇	Baseplate Assembly, MS and MD	47260738	
41◇	Spindle	See page 56	
42◇	Mortise Standoffs	See page 55	
43◇	Baseplate Standoffs	See page 55	

- \* Must specify finish.
- \*\* See page 54 for wiring harness diagram.
- ◇ For competitor levers see page 47.
- √ For competitor outside spring cages see page 48.
- ◆ This item only available as part of door thickness kit, see page 55.
- ◇ Must specify cylinder type and handing.

**Locks**

AD-400-MS, Interior



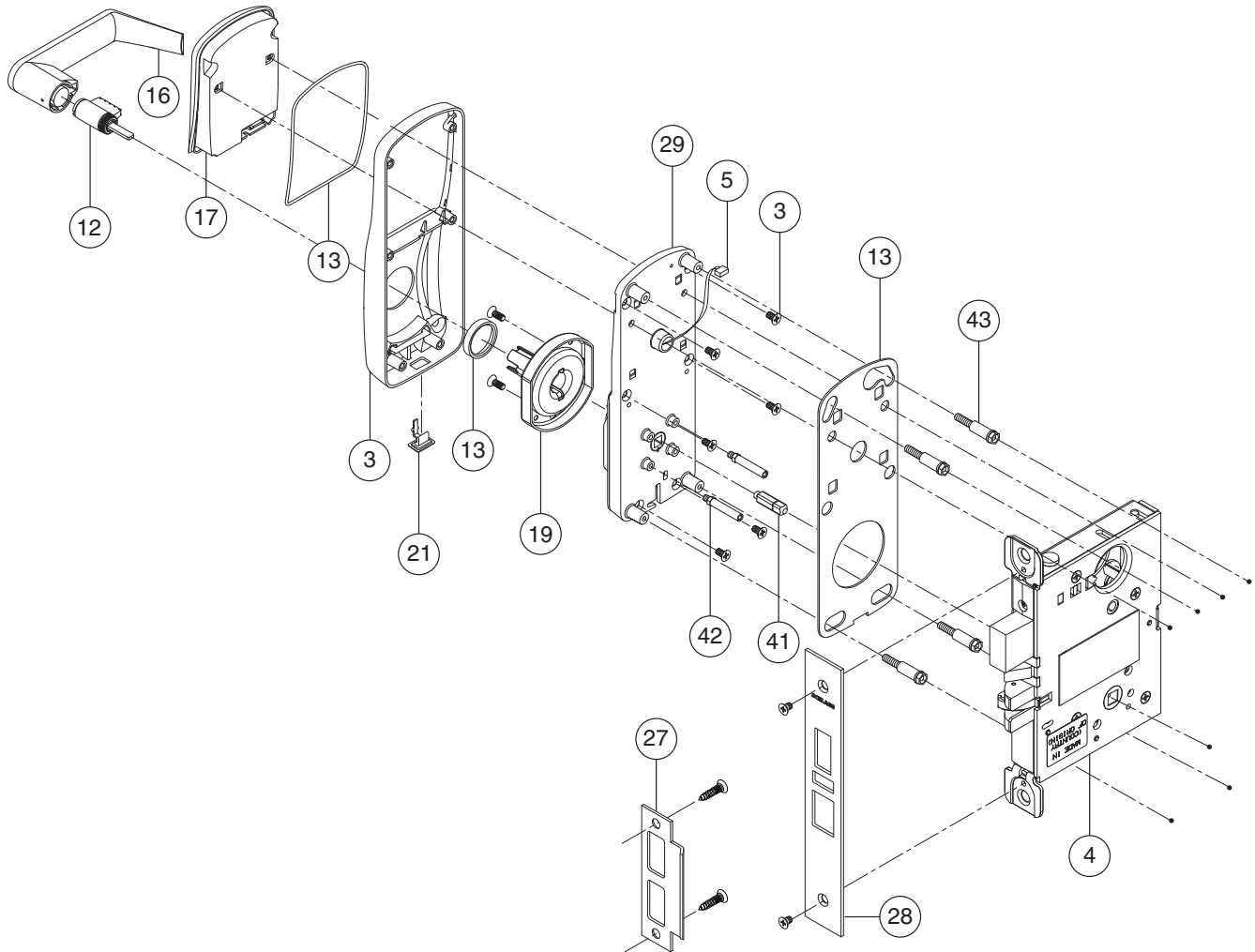
No.	Description	Part No.
2*	Cover, Wireless with IPB (Inside Push Button)	Cover, Wireless with IPB (Inside Push Button)
		Screws, Cover (2)
	Cover, Wireless with Indicator	Cover, Wireless with Indicator
		Screws, Cover (2)
6*	Escutcheon Assembly, CY and MS (includes 6 screws)	46929014
7	Batteries, AA (4), alkaline only	F206-488
8	Lithium Battery	46929147
10	Communication Module, Wireless	Communication Module, Wireless
		Standoffs, Communication Module
11*	4AA Battery Cover	Cover, 4AA Battery
		Screw, Battery Cover (1)
14	Gasket, Foil	46928974
15	4AA Battery Holder Kit	Holder, 4AA Battery
		Strap, 4AA Battery
		Screws, Battery Strap (2)

No.	Description	Part No.
18	Reader Module Screws (page 56, Item B)	46928511
20	Door Position Switch	46929121
22	Alignment Plate Kit	Alignment Plate
		Screws, Surface Mount
		Screws, Alignment Plate
23❖	Baseplate Assembly, CY, MS, and MD	47261347
24	Gasket, Baseplate, CY, MS, and MD	46928982
25*	Lever	03-230
26	Spring Cage Assembly (includes 2 screws)	47260743
41♦	Spindle	See page 56
44	Spindle Spring	44484996

- \* Must specify finish.
- ♦ This item only available as part of door thickness kit, see page 55.
- ❖ Must specify device class and handing.

## Locks

### AD-400-MD, Exterior



No.	Description	Part No.
3*	Escutcheon, MS, MD (includes 6 screws)	46928743
4	Lock Case, Deadbolt, Narrow, 1 $\frac{1}{16}$ " wide	46928834
	Lock Case, Deadbolt, 1 $\frac{1}{4}$ " wide	46928842
5**	Wiring Harness, CY, MS, and MD	46928727
12*	Cylinder	See page 49
13	Gasket Kit, Outside (includes spindle, baseplate, and reader gaskets)	47260740
16*◇	Lever (less core), Schlage KIL	03-231
	Lever (less core), Schlage FSIC	03-232
	Lever (less core) Schlage SFIC	03-200

No.	Description	Part No.	
17*	Reader Module	See page 44	
19√	Spring Cage Assembly (includes 2 screws)	47258543	
21	USB Cover (10-piece bulk pack)	46928719	
27*	Strike (includes 2 screws)	See page 52	
28*	Armor Front, MS (includes 2 screws)	1 $\frac{1}{4}$ " Wide	09-666
		1 $\frac{1}{16}$ " Wide	09-672
29◇	Baseplate Assembly, MS and MD	47260738	
41◇	Spindle	See page 56	
42◇	Mortise Stand-Offs	See page 55	
43◇	Baseplate Standoffs	See page 55	

\* Must specify finish.

\*\* See page 54 for wiring harness diagram.

◇ For competitor levers see page 47.

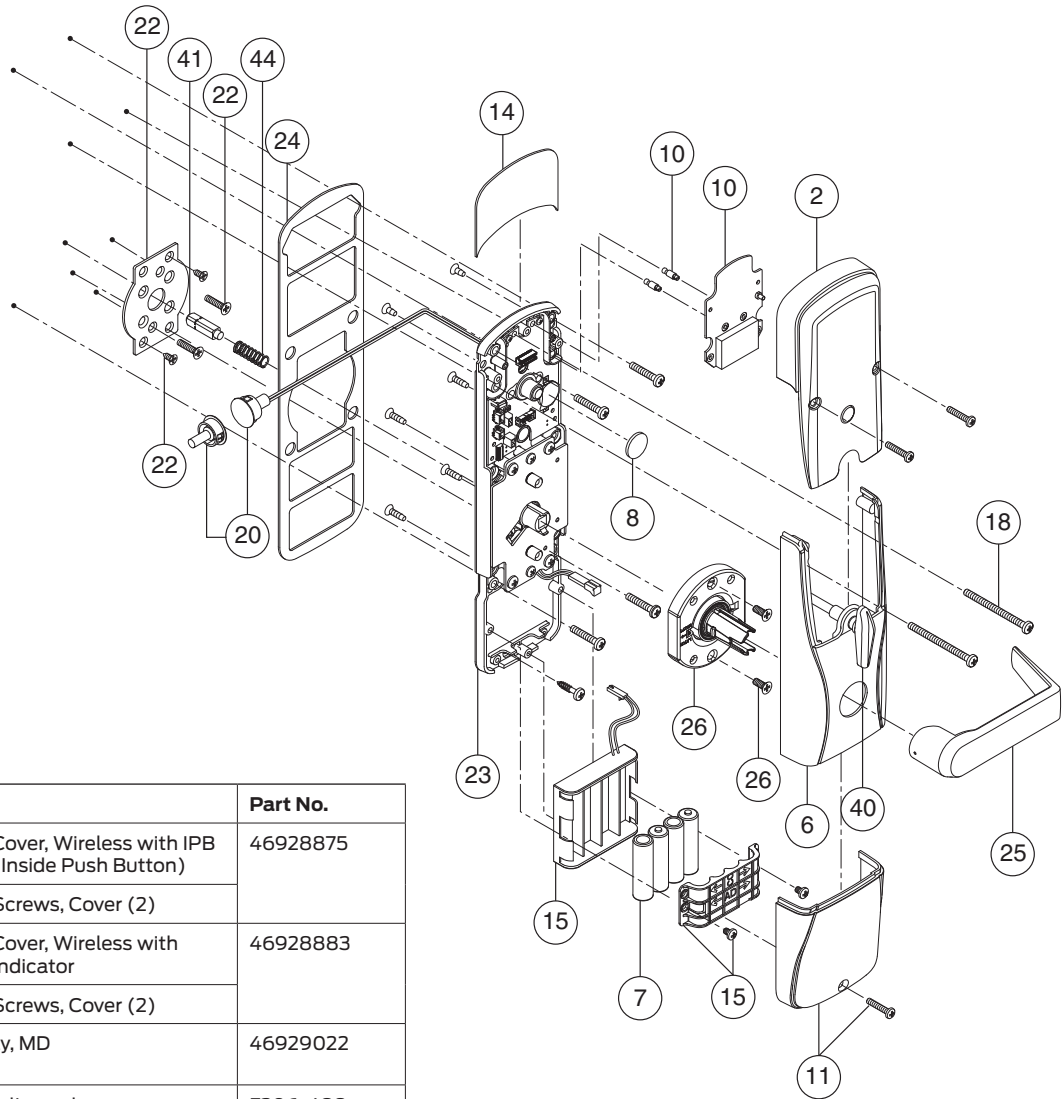
√ For competitor outside spring cages see page 48.

◆ This item only available as part of door thickness kit, see page 55.

◇ Must specify cylinder type and handing.

## Locks

### AD-400-MD, Interior



No.	Description		Part No.
2*	Cover, Wireless with IPB (Inside Push Button)	Cover, Wireless with IPB (Inside Push Button)	46928875
		Screws, Cover (2)	
	Cover, Wireless with Indicator	Cover, Wireless with Indicator	46928883
		Screws, Cover (2)	
6*	Escutcheon Assembly, MD (includes 6 screws)		46929022
7	Batteries, AA (4), alkaline only		F206-488
8	Lithium Battery		46929147
10	Communication Module, Wireless	Communication Module, Wireless	46928941
		Standoffs, Communication Module	
11*	4AA Battery Cover	Cover, 4AA Battery	4C
		Screw, Battery Cover (1)	
14	Gasket, Foil		46928974
15	4AA Battery Holder Kit	Holder, 4AA Battery	46929063
		Strap, 4AA Battery	
		Screws, Battery Strap (2)	
18	Reader Module Screws (page 56, Item B)		46928511
20	Door Position Switch		46929121

No.	Description		Part No.
22	Alignment Plate Kit	Alignment Plate	46929030
		Screws, Surface Mount	
		Screws, Alignment Plate	
23❖	Baseplate Assembly, CY, MS, and MD		47261347
24	Gasket, Baseplate, CY, MS, and MD		46928982
25*	Lever		03-230
26	Spring Cage Assembly (includes 2 screws)		47260743
40*	Thumbturn, Deadbolt		46929113
41♦	Spindle		See page 56
44	Spindle Spring		44484996

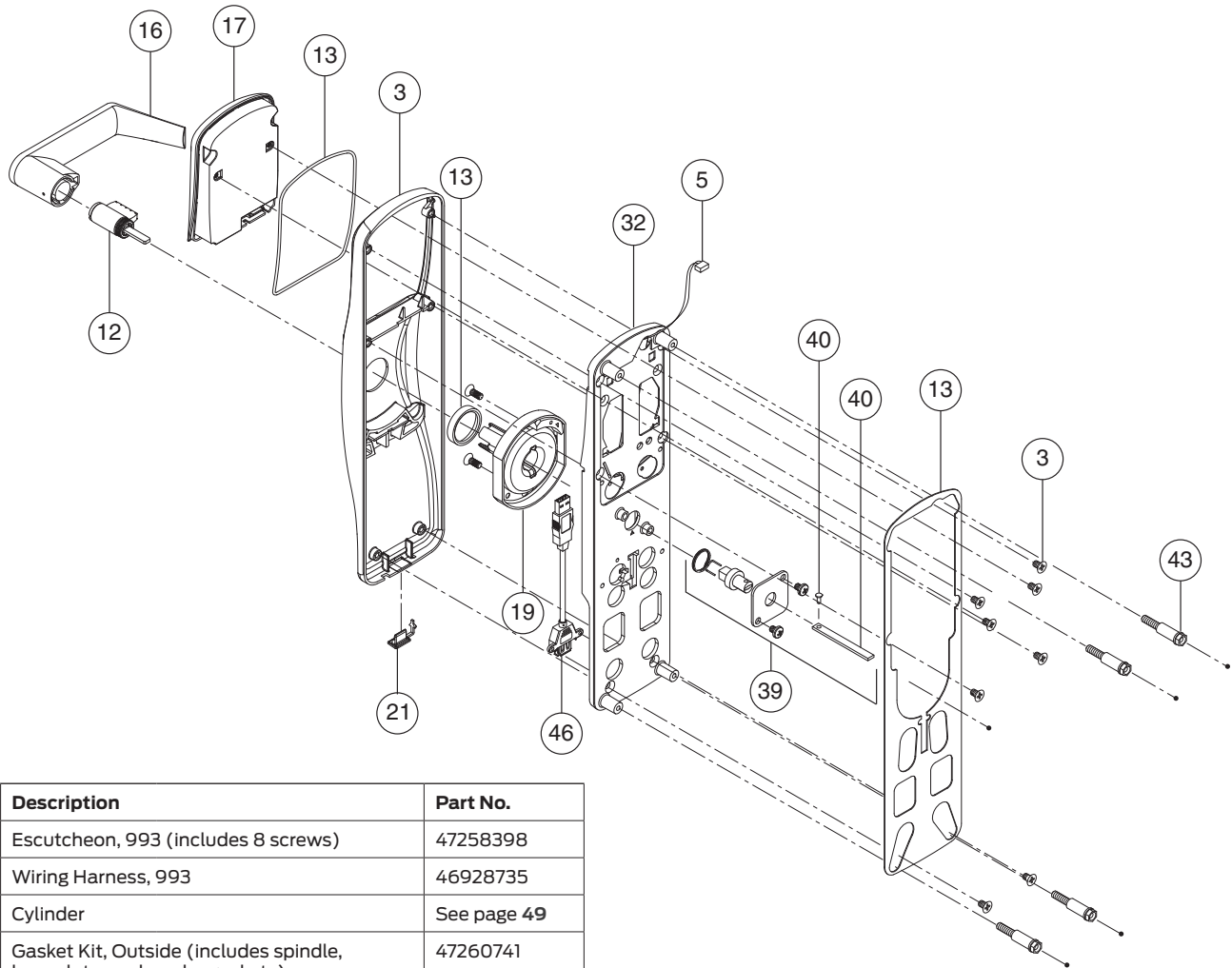
\* Must specify finish.

♦ This item only available as part of door thickness kit, see page 55.

❖ Must specify device class and handing.

# Locks

## AD-400-993-R, Exterior



No.	Description	Part No.
3*	Escutcheon, 993 (includes 8 screws)	47258398
5**	Wiring Harness, 993	46928735
12*	Cylinder	See page 49
13	Gasket Kit, Outside (includes spindle, baseplate, and reader gaskets)	47260741
16*◇	Lever (less core), Schlage KIL	03-231
	Lever (less core), Schlage FSIC	03-232
	Lever (less core) Schlage SFIC	03-200
17*	Reader Module	See page 44
19√	Spring Cage Assembly (includes 2 screws)	47258545
21	USB Cover (10-piece bulk pack)	47258550
32❖	Baseplate Assembly, 993	47260739
39	Spindle and Hub Kit	46929295
	Tailpiece	
	Clip, Tailpiece	
	Cover, Spindle, 993	
	Screw, Spindle Cover	
	Hub	
	Spring, Tailpiece, 993	

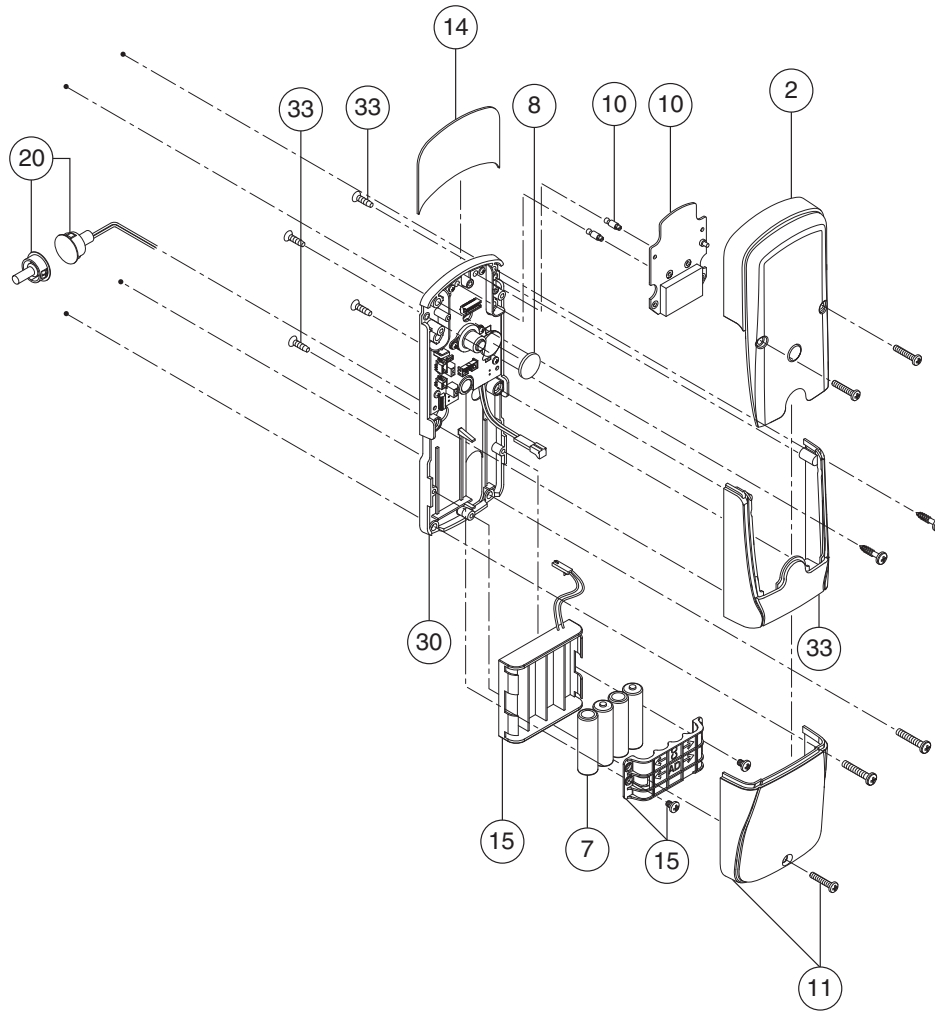
No.	Description	Part No.
40	Tailpiece Kit	46929303
	Tailpiece	
	Pine Tree Clip	
43◆	Baseplate Standoffs	See page 55
46	Cable, USB	47253409

- \* Must specify finish.
- \*\* See page 54 for wiring harness diagram.
- ◇ For competitor levers see page 47.
- √ For competitor outside spring cages see page 48.
- ◆ This item only available as part of door thickness kit, see page 55.
- ❖ Must specify cylinder type and handing.



**Locks**

AD-400-993-R, Interior



No.	Description	Part No.
2*	Cover, Wireless with IPB (Inside Push Button)	46928875
	Cover, Wireless with Indicator	
7	Batteries, AA (4), alkaline only	F206-488
8	Lithium Battery	46929147
10	Communication Module, Wireless	46928941

No.	Description	Part No.
11*	4AA Battery Cover	Cover, 4AA Battery
		Screw, Battery Cover (1)
14	Gasket, Foil	46928974
15	4AA Battery Holder Kit	Holder, 4AA Battery
		Strap, 4AA Battery
		Screws, Battery Strap (2)
20	Door Position Switch	46929121
30*	Baseplate Assembly, 993	46929253
33*	Escutcheon Assembly, 993 (includes 4 screws)	46929279

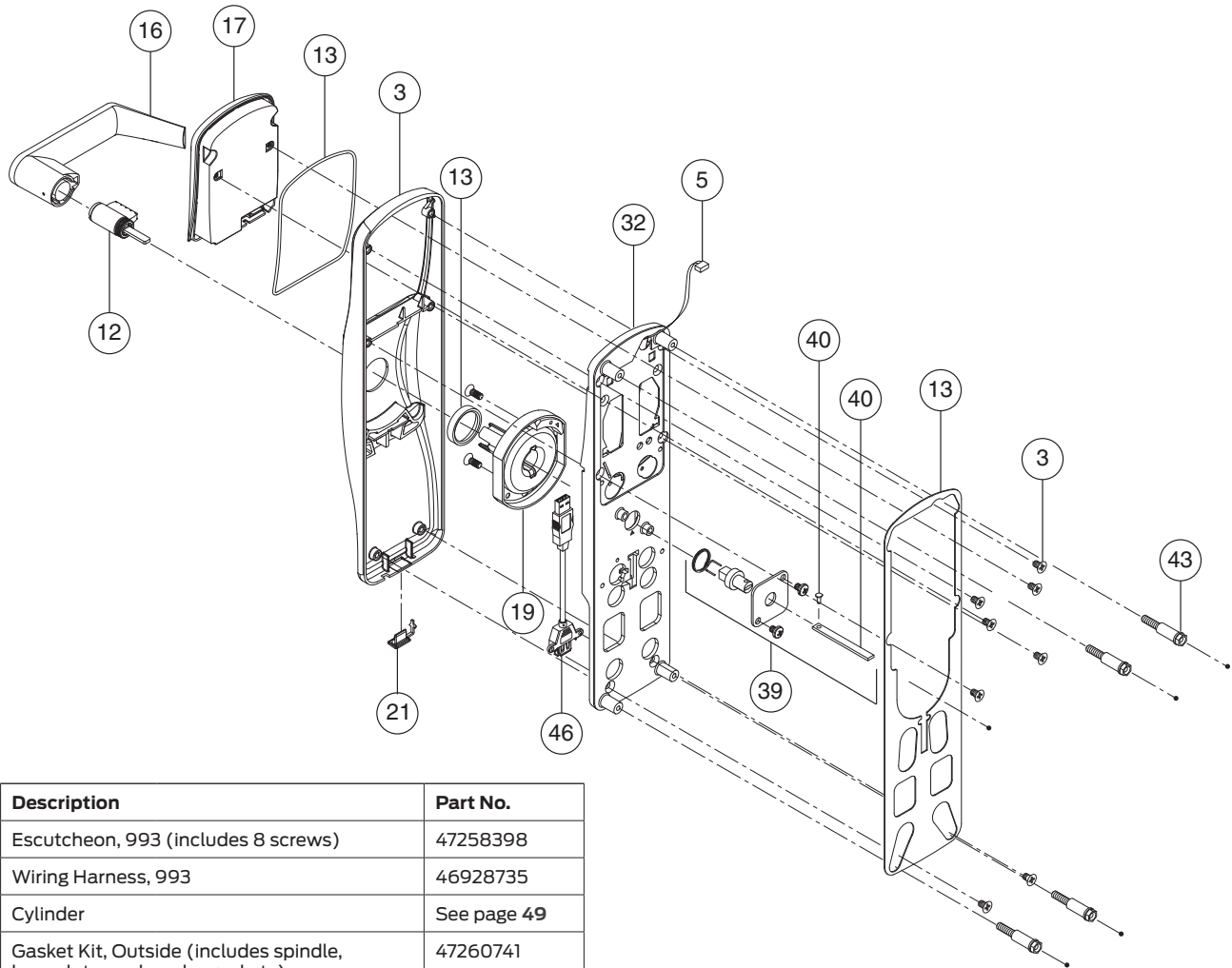
\* Must specify finish.

\* Must specify device class and handing.

Note: For doors with existing large cutout, order exit device mounting hardware kit, see page 57.

## Locks

### AD-400-993-S, Exterior



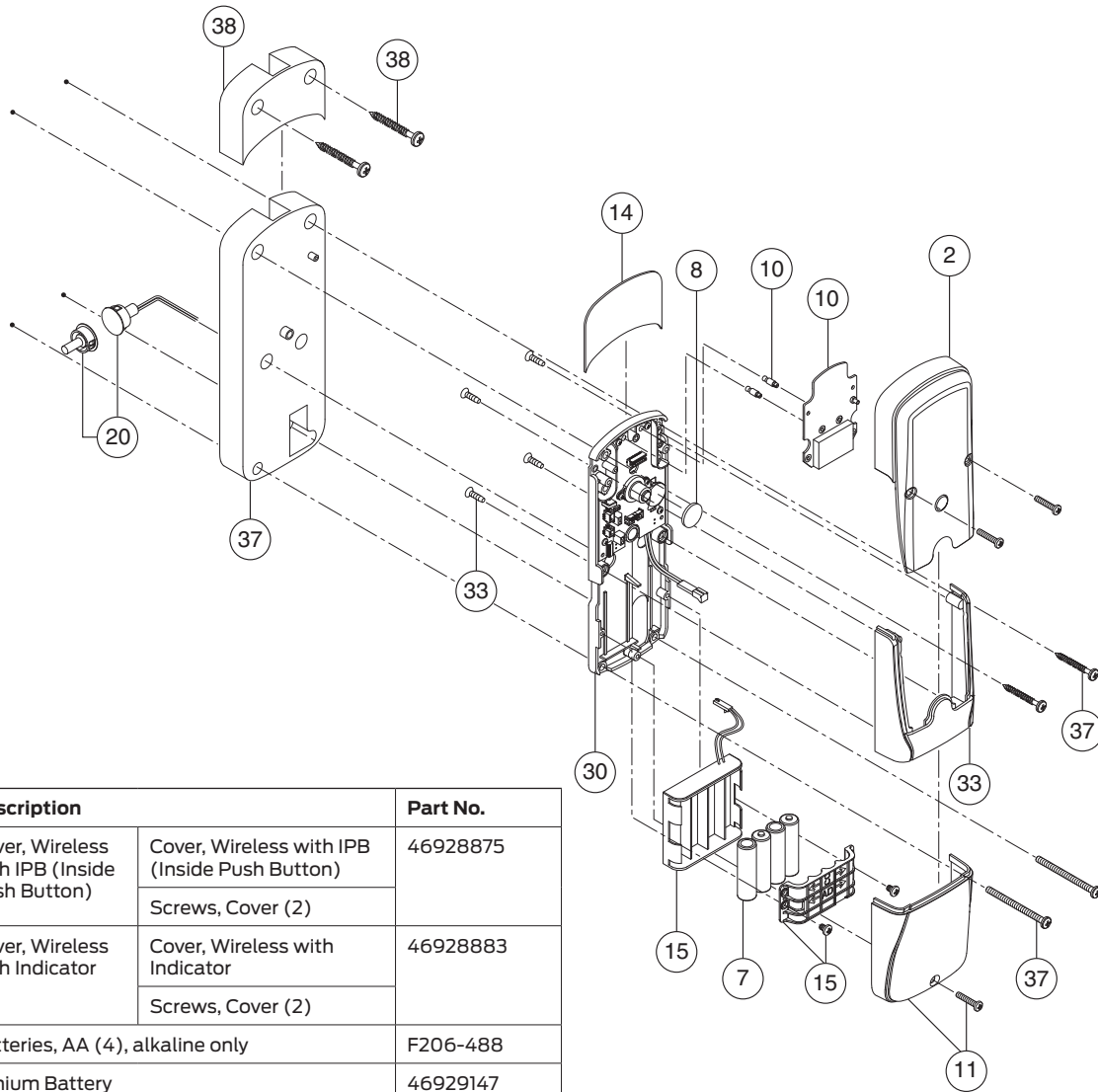
No.	Description	Part No.
3*	Escutcheon, 993 (includes 8 screws)	47258398
5**	Wiring Harness, 993	46928735
12*	Cylinder	See page 49
13	Gasket Kit, Outside (includes spindle, baseplate, and reader gaskets)	47260741
16*◇	Lever (less core), Schlage KIL	03-231
	Lever (less core), Schlage FSIC	03-232
	Lever (less core) Schlage SFIC	03-200
17*	Reader Module	See page 44
19√	Spring Cage Assembly (includes 2 screws)	47258545
21	USB Cover (10-piece bulk pack)	47258550
32❖	Baseplate Assembly, 993	47260739
39	Spindle and Hub Kit	46929295
	Tailpiece	
	Clip, Tailpiece	
	Cover, Spindle, 993	
	Screw, Spindle Cover	
	Hub	
	Spring, Tailpiece, 993	

No.	Description	Part No.
40	Tailpiece Kit	46929303
	Tailpiece	
	Pine Tree Clip	
43◆	Baseplate Standoffs	See page 55
46	Cable, USB	47253409

- \* Must specify finish.
- \*\* See page 54 for wiring harness diagram.
- ◇ For competitor levers see page 47.
- √ For competitor outside spring cages see page 48.
- ◆ This item only available as part of door thickness kit, see page 55.
- ❖ Must specify cylinder type and handing.

**Locks**

AD-400-993-S, Interior



No.	Description		Part No.
2*	Cover, Wireless with IPB (Inside Push Button)	Cover, Wireless with IPB (Inside Push Button)	46928875
		Screws, Cover (2)	
	Cover, Wireless with Indicator	Cover, Wireless with Indicator	46928883
		Screws, Cover (2)	
7	Batteries, AA (4), alkaline only		F206-488
8	Lithium Battery		46929147
10	Communication Module, Wireless	Communication Module, Wireless	46928941
		Standoffs, Communication Module	
11*	4AA Battery Cover	Cover, 4AA Battery	4C
		Screw, Battery Cover (1)	
14	Gasket, Foil		46928974
15	4AA Battery Holder Kit	Holder, 4AA Battery	46929063
		Strap, 4AA Battery	
		Screws, Battery Strap (2)	
20	Door Position Switch		46929121
30❖	Baseplate Assembly, 993		46929253
33*	Escutcheon Assembly, 993 (includes 4 screws)		46929279

No.	Description		Part No.
37	Spacer, Inside Baseplate, S	Spacer, Baseplate	46929238
		Screws, Baseplate	
		Screws, Surface Mount	
38	Spacer, Inside Wireless Cover, AD-400-993-S	Spacer, Wireless Cover	46929246
		Screws, Surface Mount	

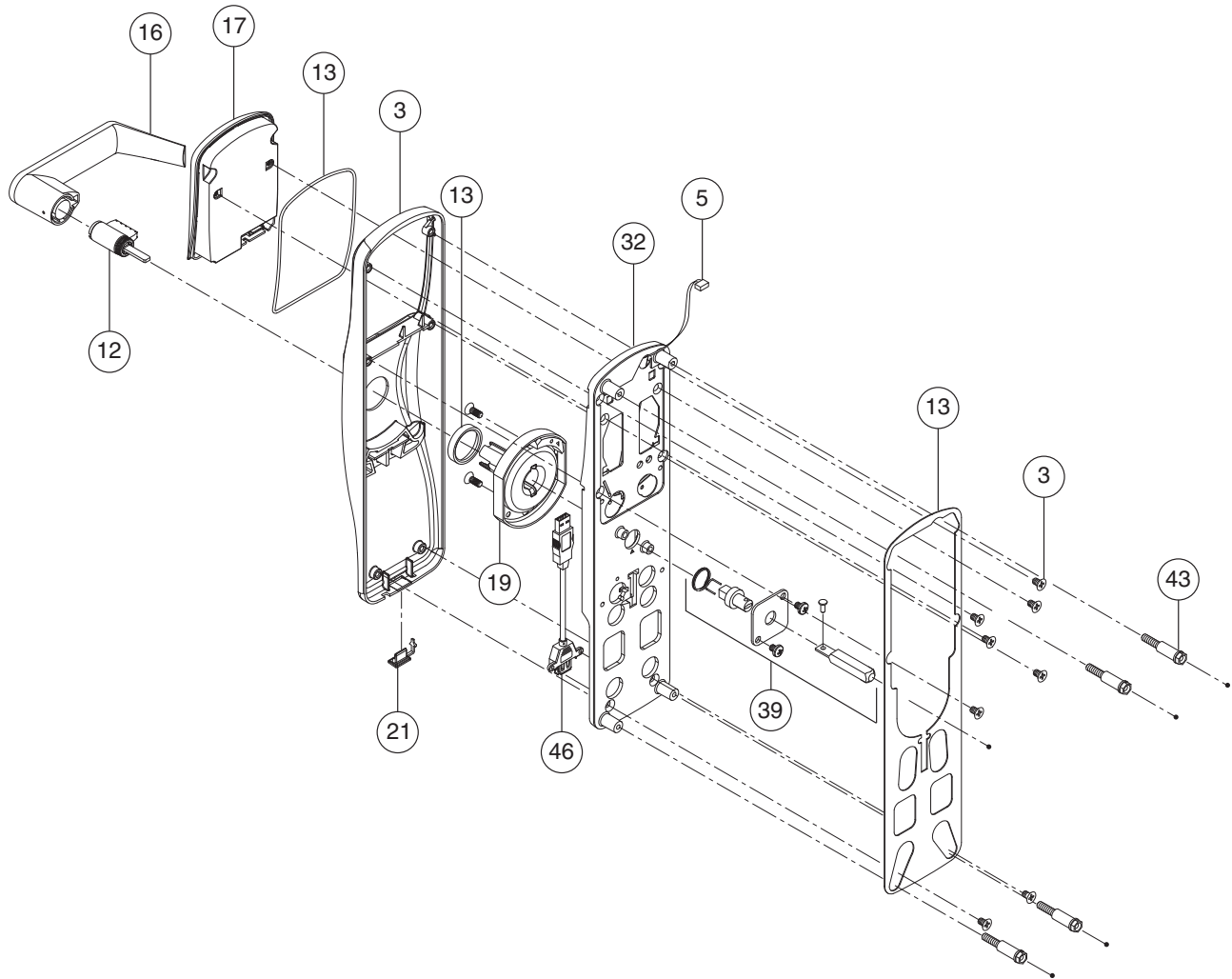
\* Must specify finish.

❖ Must specify device class and handing.

Note: For doors with existing large cutout, order exit device mounting hardware kit, see page 57.

## Locks

### AD-400-993-M, Exterior



No.	Description	Part No.
3*	Escutcheon, 993 (includes 8 screws)	47258398
5**	Wiring Harness, 993	46928735
12*	Cylinder	See page 49
13	Gasket Kit, Outside (includes spindle, baseplate, and reader gaskets)	47260741
16*◇	Lever (less core), Schlage KIL	03-231
	Lever (less core), Schlage FSIC	03-232
	Lever (less core) Schlage SFIC	03-200
17*	Reader Module	See page 44
19√	Spring Cage Assembly (includes 2 screws)	47258545
21	USB Cover (10-piece bulk pack)	47258550
32❖	Baseplate Assembly, 993	47260739

No.	Description	Part No.	
39	Spindle and Hub Kit	Tailpiece	46929295
		Clip, Tailpiece	
		Cover, Spindle, 993	
		Screw, Spindle Cover	
		Hub	
	Spring, Tailpiece, 993		
43◆	Baseplate Standoffs	See page 55	
46	Cable, USB	47253409	

\* Must specify finish.

\*\* See page 54 for wiring harness diagram.

◇ For competitor levers see page 47.

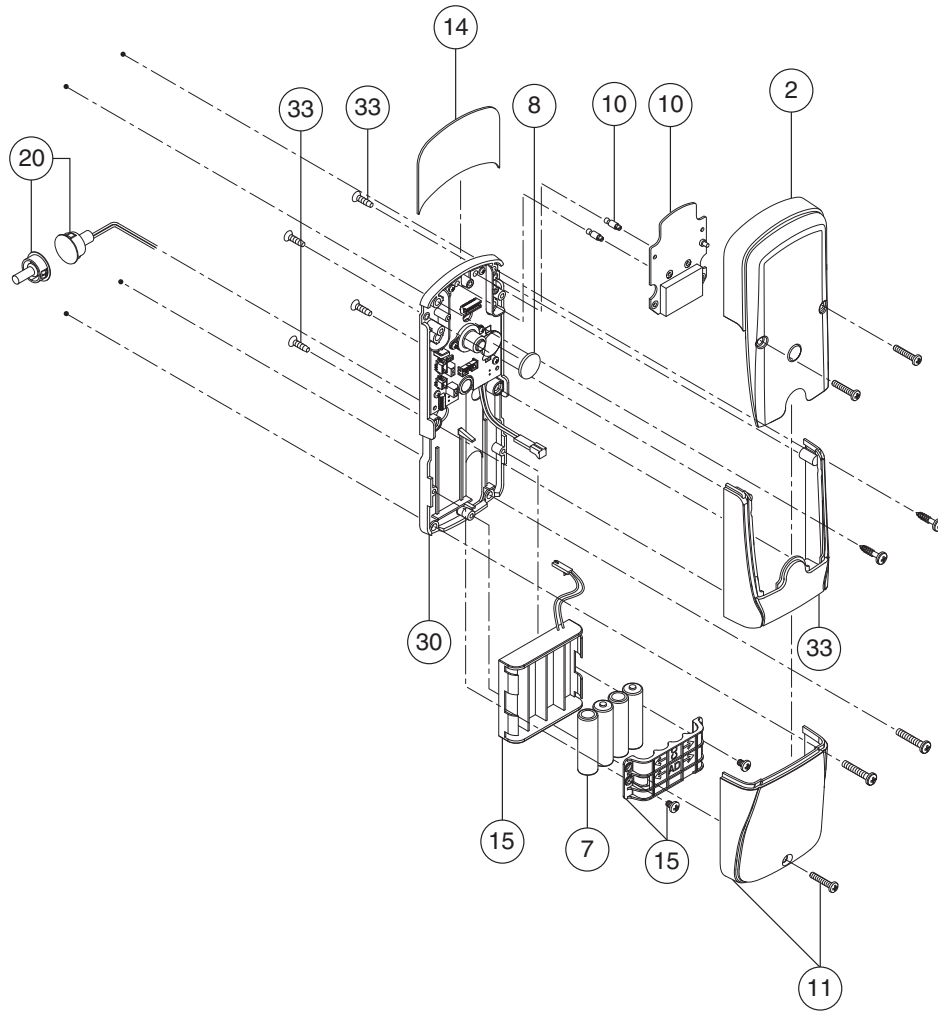
√ For competitor outside spring cages see page 48.

◆ This item only available as part of door thickness kit, see page 55.

❖ Must specify cylinder type and handing.

**Locks**

AD-400-993-M, Interior



No.	Description	Part No.
2*	Cover, Wireless with IPB (Inside Push Button)	46928875
	Cover, Wireless with Indicator	46928883
7	Batteries, AA (4), alkaline only	F206-488
8	Lithium Battery	46929147
10	Communication Module, Wireless	46928941
	Standoffs, Communication Module	

No.	Description	Part No.	
11*	4AA Battery Cover	Cover, 4AA Battery	4C
		Screw, Battery Cover (1)	
14	Gasket, Foil	46928974	
15	4AA Battery Holder Kit	Holder, 4AA Battery	46929063
		Strap, 4AA Battery	
		Screws, Battery Strap (2)	
20	Door Position Switch	46929121	
30❖	Baseplate Assembly, 993	46929253	
33*	Escutcheon Assembly, 993 (includes 4 screws)	46929279	

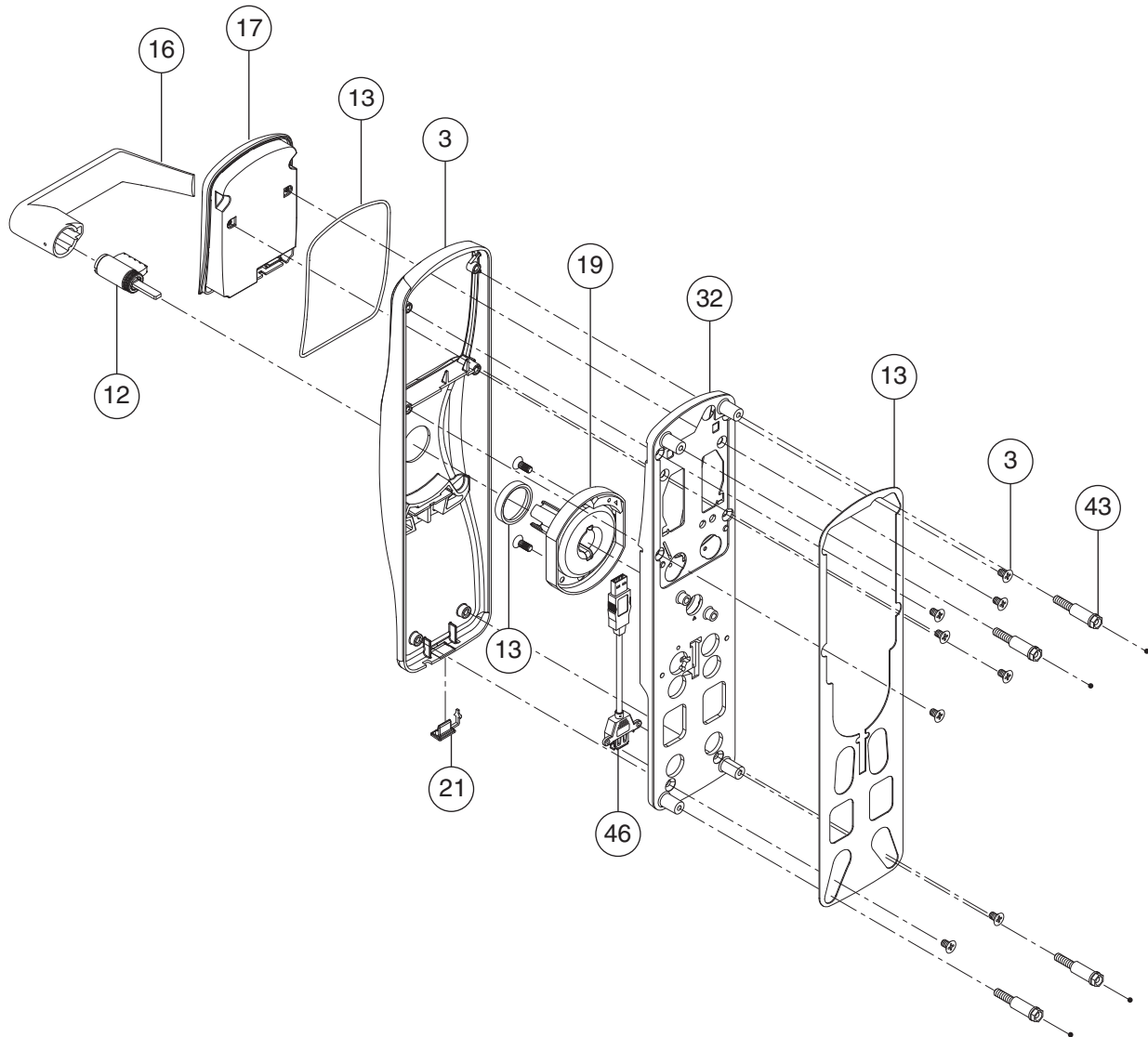
\* Must specify finish.

❖ Must specify device class and handing.

Note: For doors with existing large cutout, order exit device mounting hardware kit, see page 57.

## Locks

### AD-993-DT Dummy Trim, Exterior



No.	Description	Part No.
3*	Escutcheon, 993-DT (includes 8 screws)	47258398
12*	Cylinder	See page 49
13	Gasket Kit, Outside (includes spindle, baseplate, and reader gaskets)	47260741
16*◇	Lever (less core), Schlage KIL	03-231
	Lever (less core), Schlage FSIC	03-232
	Lever (less core) Schlage SFIC	03-200

No.	Description	Part No.
17*	Reader Module	See page 44
19✓	Spring Cage Assembly (includes 2 screws)	47258543
21	USB Cover (10-piece bulk pack)	47258550
32✧	Baseplate Assembly, 993	47260739
43◆	Baseplate Standoffs	See page 55
46	Cable, USB	47253409












- \* Must specify finish.
- \*\* See page 54 for wiring harness diagram.
- ◇ For competitor levers see page 47.
- ✓ For competitor outside spring cages see page 48.
- ◆ This item only available as part of door thickness kit, see page 55.
- ✧ Must specify cylinder type and handing.

# Parts and Accessories

- 44 Reader Modules
- 45 Communication Module Kits
- 46 Levers
- 48 Spring Cages
- 49 Cylinders
- 49 Latches
- 50 Tailpiece Kits
- 51 Spring Cage and Tailpiece 10-Piece Bulk Packs
- 52 Strike Plates
- 52 Mortise Lock Armor Fronts
- 53 Battery Holder Kits and WPR Charger Kit
- 54 Coin Cell Battery Replacement
- 54 REX Switch, Main PCB Kits and Wiring Harness Replacement
- 55 Door Thickness Kit
- 56 Mounting Screw and Spindle Details for CY, MS, and MD
- 57 Exit Device Mounting Hardware Kit
- 58 Thin Door Shims
- 58 Decorative Plates

# Reader Modules

Reader Modules are used to replace an existing reader module or convert to a different type of reader module.

<p><b>Keypad Only</b></p> <p>Part Number: KP</p> <p>Works with: AD-200, AD-300, AD-400</p> <p>Available Finishes: 605, 606, 612, 619, 625, 626, 626AM, 643e</p> 	<p><b>Magnetic Stripe (Insert) (Track 1, 2 or 3)</b></p> <p>Part Number: MG</p> <p>Works with: AD-200, AD-250, AD-300, AD-400</p> <p>Available Finishes: 605, 606, 612, 619, 625, 626, 626AM, 643e</p> 	<p><b>Magnetic Stripe (Insert) with Keypad (Track 1, 2 or 3)</b></p> <p>Part Number: MGK</p> <p>Works with: AD-200, AD-250, AD-300, AD-400</p> <p>Available Finishes: 605, 606, 612, 619, 625, 626, 626AM, 643e</p> 
<p><b>Magnetic Stripe (Swipe) (Track 1, 2 or 3)</b></p> <p>Part Number: MS</p> <p>Works with: AD-200, AD-250, AD-300, AD-400</p> <p>Available Finishes: 605, 606, 612, 619, 625, 626, 626AM, 643e</p> 	<p><b>Magnetic Stripe (Swipe) with Keypad (Track 1, 2 or 3)</b></p> <p>Part Number: MSK</p> <p>Works with: AD-200, AD-250, AD-300, AD-400</p> <p>Available Finishes: 605, 606, 612, 619, 625, 626, 626AM, 643e</p> 	<p><b>Multi-Technology (125 kHz Proximity and 13.56 MHz Smart)</b></p> <p>Part Number: MT</p> <p>Works with: AD-200, AD-300, AD-400</p> <p>Available Finishes: GRY (for 619, 625, 626, 626 AM), BRN (for 605, 606, 612, 643e)</p> 
<p><b>Multi-Technology with Keypad (125 kHz Proximity and 13.56 MHz Smart)</b></p> <p>Part Number: MTK</p> <p>Works with: AD-200, AD-300, AD-400</p> <p>Available Finishes: GRY (for 619, 625, 626, 626 AM), BRN (for 605, 606, 612, 643e)</p> 	<p><b>FIPS Multi-Technology with Keypad (125 kHz Proximity and 13.56 MHz Smart)</b></p> <p>Part Number: FMK</p> <p>Works with: AD-201, AD-301, AD-401</p> <p>Available Finishes: GRY (for 619, 625, 626, 626 AM), BRN (for 605, 606, 612, 643e)</p> 	<p><b>Non-Functioning Dummy Trim Reader</b></p> <p>Part Number: DT</p> <p>Works with: AD-993-DT</p> <p>Available Finishes: GRY (for 619, 625, 626, 626 AM), BRN (for 605, 606, 612, 643e)</p> 
<p><b>Smart Technology iClass Compatible (13.56 MHz Smart)</b></p> <p>Part Number: Si</p> <p>Works with: AD-200, AD-300, AD-400</p> <p>Available Finishes: GRY (for 619, 625, 626, 626 AM), BRN (for 605, 606, 612, 643e)</p> 	<p><b>Smart Technology iClass Compatible with Keypad (13.56 MHz Smart)</b></p> <p>Part Number: SiK</p> <p>Works with: AD-200, AD-300, AD-400</p> <p>Available Finishes: GRY (for 619, 625, 626, 626 AM), BRN (for 605, 606, 612, 643e)</p> 	

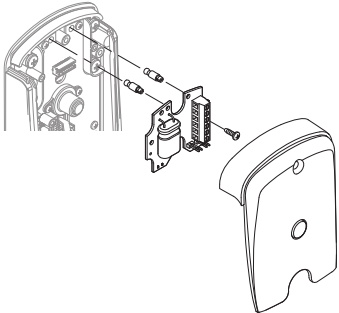
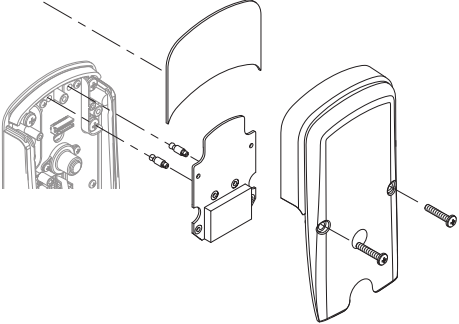


## Parts and Accessories

### Communication Module Kits

Communication module kits are used to convert a lock to AD-300 (hardwired) or AD-400 (wireless) function. They may also be used as replacement parts. When converting from one lock type to another, a firmware update will be required.

Communication Module Compatibility					
Class	Type	Classroom/Storeroom (70)	Office (50)	Apartment (40)	Privacy (60)
AD-200/250	CY	COM200C	COM200P	COM200P	COM200P
AD-200/250	MS	COM200C	COM200P	COM200P	COM200P
AD-200/250	MD	COM200C	N/A	COM200L	COM200L
AD-200/250	993	COM200C	N/A	N/A	N/A
AD-300	CY	COM300L	COM300P	COM300P	COM300P
AD-300	MS	COM300L	COM300P	COM300P	COM300P
AD-300	MD	COM300L	N/A	COM300L	COM300L
AD-300	993	COM300L	N/A	N/A	N/A
AD-400	CY	COM400L	COM400P	COM400P	COM400P
AD-400	MS	COM400L	COM400P	COM400P	COM400P
AD-400	MD	COM400L	N/A	COM400L	COM400L
AD-400	993	COM400L	N/A	N/A	N/A

Communication Module Kits			
Kit Name		Contents	Kit Part No.
Hardwired AD-300 Communication Kit 	with IPB (Inside Push Button)	Communication Module Cover with IPB	COM300P
		Communication Module Cover Screws	
		RS-485 Communication Module	
		Communication Module Screw	
	with Indicator	Communication Module Cover with Indicator	COM300L
		Communication Module Cover Screws	
		RS-485 Communication Module	
		Communication Module Screw	
Wireless AD-400 Communication Kit* 	Cover with IPB (Inside Push Button)	Wireless Communication Module Cover with IPB	COM400P
		Communication Module Cover Screws	
		Wireless Communication Module	
		Communication Module Standoffs	
	Cover with Indicator	Wireless Communication Module Cover with Indicator	COM400L
		Communication Module Cover	
		Wireless Communication Module	
		Communication Module Standoffs	
		Wireless Foil Gasket	

\* AD-400-993-S requires spacer part number 46929238; see page 39.

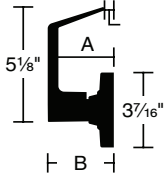
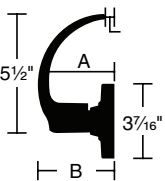
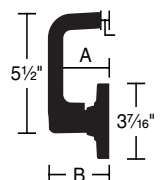
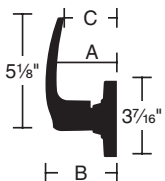
Must specify finish at time of order, especially when ordering separate.

Must order Door Position Switch number 46929121 for proper operation unless a switch is already installed.

## Parts and Accessories

### Levers

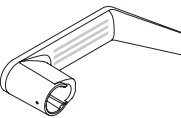
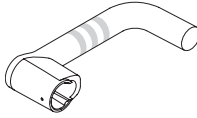
Levers shown below can accommodate Schlage and Falcon cylinders. Levers on page 47 accommodate additional competitor cylinders. All lever designs are available in finishes 605, 606, 612, 619, 625, 626, 643e and 626AM.

Style	Interior Levers		Exterior Levers	
	Closed		Key In Lever	
	No Cylinder	KIL 6 Pin (Schlage and Falcon Cylinders)	FSIC 6 Pin (Schlage Cylinders)	SFIC 6 and 7 Pin (Schlage, Falcon, BEST, Corbin Russwin, Yale, and Medeco Cylinders)
<b>Rhodes (RHO)*</b> 	03-230 RHO A=2 <sup>7</sup> / <sub>16</sub> " , B=2 <sup>15</sup> / <sub>16</sub> "	03-231 RHO A=2 <sup>7</sup> / <sub>16</sub> " , B=2 <sup>15</sup> / <sub>16</sub> "	03-232 RHO A=2 <sup>3</sup> / <sub>4</sub> " , B=3 <sup>1</sup> / <sub>4</sub> "	03-200 RHO A=2 <sup>1</sup> / <sub>2</sub> " , B=3"
<b>Sparta (SPA)*</b> 	03-230 SPA A=3" , B=3 <sup>1</sup> / <sub>2</sub> "	03-231 SPA A=3" , B=3 <sup>1</sup> / <sub>2</sub> "	03-232 SPA A=3 <sup>1</sup> / <sub>4</sub> " , B=3 <sup>3</sup> / <sub>4</sub> "	03-200 SPA A=3" , B=3 <sup>1</sup> / <sub>2</sub> "
<b>Tubular (TLR)*</b> 	03-230 TLR A=2 <sup>1</sup> / <sub>4</sub> " , B=3"	03-231 TLR A=2 <sup>1</sup> / <sub>4</sub> " , B=3"	03-232 TLR A=2 <sup>1</sup> / <sub>2</sub> " , B=3 <sup>3</sup> / <sub>16</sub> "	03-200 TLR A=2 <sup>1</sup> / <sub>4</sub> " , B=3"
<b>Athens (ATH)</b> 	03-230 ATH A=2 <sup>3</sup> / <sub>4</sub> " , B=3 <sup>5</sup> / <sub>16</sub> " , C=2 <sup>1</sup> / <sub>2</sub> "	03-231 ATH A=2 <sup>3</sup> / <sub>4</sub> " , B=3 <sup>5</sup> / <sub>16</sub> " , C=2 <sup>1</sup> / <sub>2</sub> "	03-232 ATH A=3" , B=3 <sup>1</sup> / <sub>2</sub> " , C=2 <sup>1</sup> / <sub>16</sub> "	03-200 ATH A=2 <sup>7</sup> / <sub>8</sub> " , B=3 <sup>3</sup> / <sub>8</sub> " , C=2 <sup>1</sup> / <sub>2</sub> "

① NOTE: Changing Lever Cylinder Compatibility on a device typically requires replacement of existing spring cage and tailpiece.

### Tactile Warning Levers

Applied to exterior lever only unless otherwise specified. Not available with 643e finish.










Rhodes lever	Tubular lever	Preface Design Code for Tactile Warning Levers			
		Athens	Rhodes*	Sparta*	Tubular*
		8AT	8RO	8SP	8TR

\* Meets California Fire Code for 1/2" or less return to the door

## Parts and Accessories

### Levers for use with Competitor Cylinders

Competitor lever designs come in finishes 626 standard, and 605, 606, 612, 619, 625, 643e, and 626 AM with extended lead-times.

Cylinder	Order Suffix	Cylinder Type	Lever Design/Part Numbers			
			Rhodes	Sparta	Tubular	Athens
	LD SAR	KIL 6 Pin (Sargent Cylinders)	03-244-RHO 03-244-8RO**	03-244-SPA 03-244-8SP**	03-244-TLR 03-244-8TR**	03-244-ATH 03-244-8AT**
	LD FA7	KIL 7 Pin (Falcon Cylinders)	03-280-RHO 03-280-8RO**	03-280-SPA 03-280-8SP**	N/A	N/A
	LD CO6	KIL 6 Pin (Corbin Russwin Cylinders)	03-234-RHO 03-234-8RO**	03-234-SPA 03-234-8SP**	03-234-TLR 03-234-8TR**	03-234-ATH 03-234-8AT**
	JD SAR	FSIC 6 Pin (Sargent Cylinders)	03-277-RHO 03-277-8RO**	03-277-SPA 03-277-8SP**	03-277-TLR 03-277-8TR**	03-277-ATH 03-277-8AT**
	JD CO6	FSIC 6 Pin (Corbin Russwin Cylinders)	03-266-RHO 03-266-8RO**	03-266-SPA 03-266-8SP**	03-266-TLR 03-266-8TR**	03-266-ATH 03-266-8AT**
	JD CO7	FSIC 7 Pin (Corbin Russwin Cylinders)	03-235-RHO 03-235-8RO**	03-235-SPA 03-235-8SP**	03-235-TLR 03-235-8TR**	03-235-ATH 03-235-8AT**
	*JD YA6	FSIC 6 Pin (Yale/*Medeco Cylinders)	03-255-RHO 03-255-8RO**	03-255-SPA 03-255-8SP*	03-255-TLR 03-255-8TR*	03-255-ATH 03-255-8AT*
	JD YA7	FSIC 7 Pin (Yale Cylinders)	03-236-RHO 03-236-8RO**	03-236-SPA 03-236-8SP*	N/A	N/A
	JD MED	FSIC 6 Pin (Medeco Cylinders)	03-237-RHO 03-237-8RO**	03-237-SPA 03-237-8SP*	03-237-TLR 03-237-8TR*	03-237-ATH 03-237-8AT*

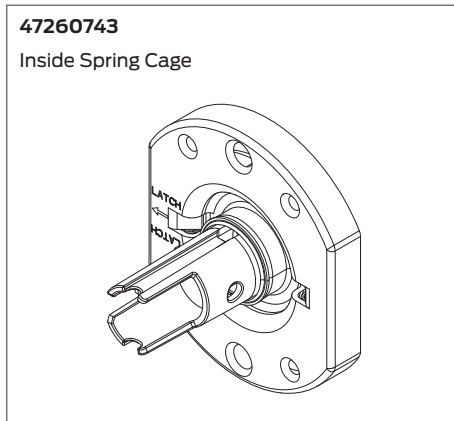
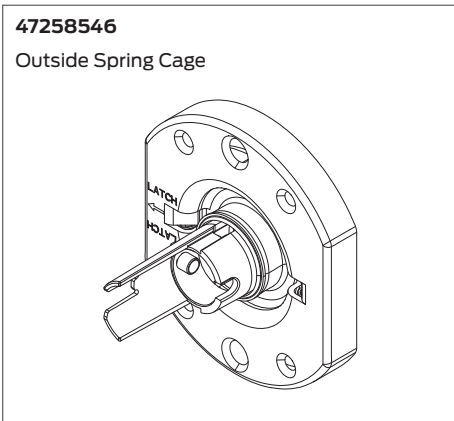
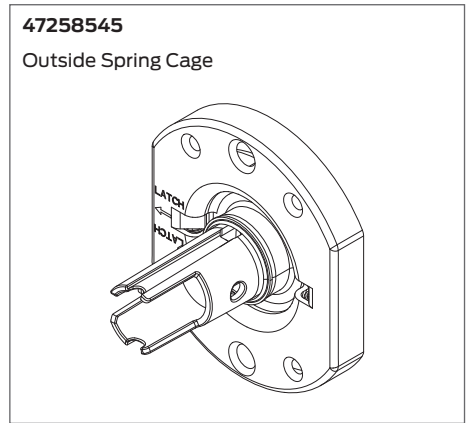
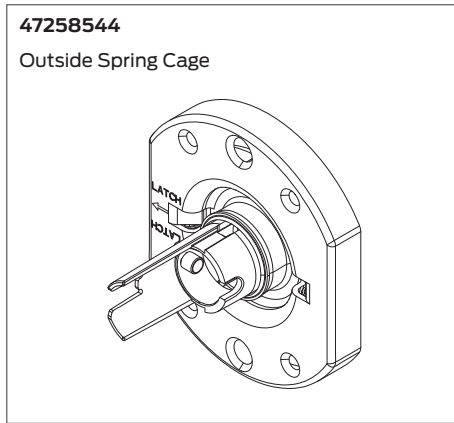
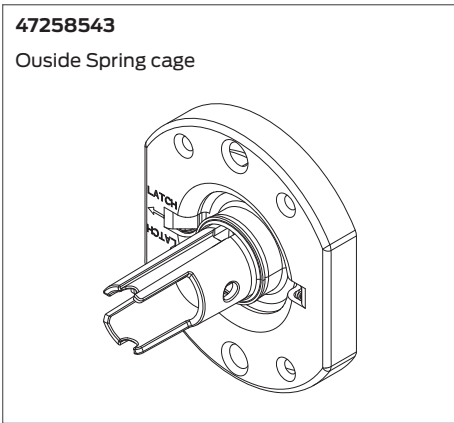
\* Accepts Medeco retrofit cylinder for Yale, Medeco p/n 31-0100 FSIC type.

\*\* Tactile Warning Lever (Note: Tactile warning lever not available with 643e finish).

# Spring Cages

	Order Suffix	Cylinder Type	AD Chassis Type		
			CY, MS, MD	993	DT (dummy)
Exterior	PD/LD	KIL 6 Pin (Schlage and Falcon Cylinders)	47258543	47258545	47258543
	RD/JD	FSIC 6 Pin (Schlage Cylinders)			
	GD/BD	SFIC 6 and 7 Pin (Schlage, BEST, Corbin Russwin, Yale, Medeco Cylinders)			
	LD FA7	SFIC 7 Pin (Falcon Cylinders)	47258544	47258546	47258544
	JD YA6*	FSIC 6 Pin (Yale/Medeco Cylinders*)			
	JD YA7	FSIC 7 Pin (Yale Cylinders)			
	JD MED	FSIC 6 Pin (Medeco Cylinders)			
Interior	All	N/A	47260743	N/A	

\* Accepts Medeco retrofit cylinder for Yale, Medeco p/n 31-0100 FSIC type



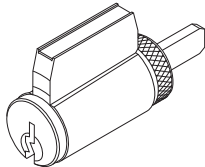
## Parts and Accessories

### Cylinders

Chassis	Cylinder Suffix	Classic	Everest	Primus	Primus XP	Primus UL 437	Primus UL 437 XP
Cylindrical	PD	23-013	23-013-EV	20-750	20-750-XP	20-550	20-550-XP
	RD	23-030	23-030-EV	20-740	20-740-XP		
Mortise	PD	23-118	23-118-EV	20-854	20-854-XP	20-554	20-554-XP
	RD	23-030	23-030-EV	20-740	20-740-XP		
Exit	PD (All Except ATH, 8AT)	23-118	23-118-EV	20-854	20-854-XP	20-554	20-554-XP
	PD (ATH, 8AT)	23-013	23-013-EV	20-750	20-750-XP	20-550	20-550-XP
	RD	23-030	23-030-EV	20-740	20-740-XP		
All	GD		80-037				

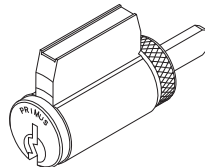
#### Classic, Everest

PD  
23-013  
23-013-EV  
23-118  
23-118-EV



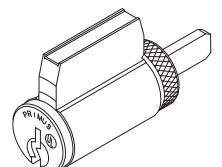
#### Primus, Primus XP

PD  
20-750  
20-750-XP  
20-854  
20-854-XP



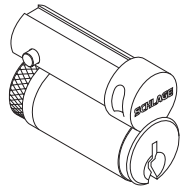
#### Primus UL 437, Primus UL, 437 XP

PD  
20-550  
20-550-XP  
20-554  
20-554-XP



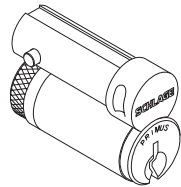
#### Classic, Everest

RD  
23-030  
23-030-EV



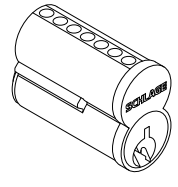
#### Primus, Primus XP

RD  
20-740  
20-740-XP



#### Everest

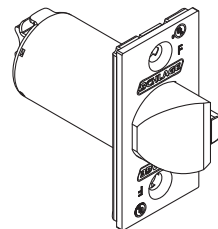
GD  
80-037



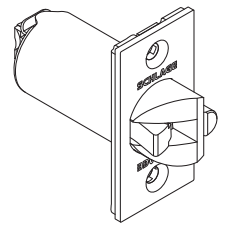
### Latches

Backset	Description	Part Number
2¾"	½" Size, Square Corner, Electrified Latch, 1⅛" x 2¼"	13-247
2¾"	¾" Size, Anti-Friction Fire Door Latch, 1⅛" x 2¼"	14-049
3¾"	½" Size, Square Corner Latchbolt, 1⅛" x 2¾"	14-050
2⅞"	½" Size, Square Corner Latchbolt, 1⅛" x 2¾"	14-051
5"	½" Latchbolt Bracket Extension	43-001

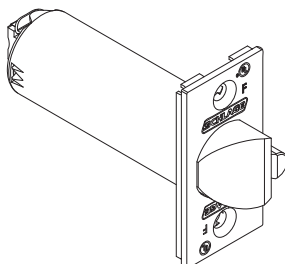
13-247



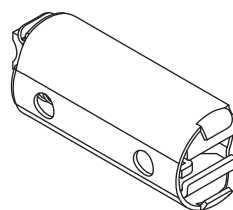
14-049



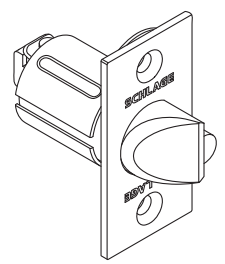
14-050



43-001



14-051

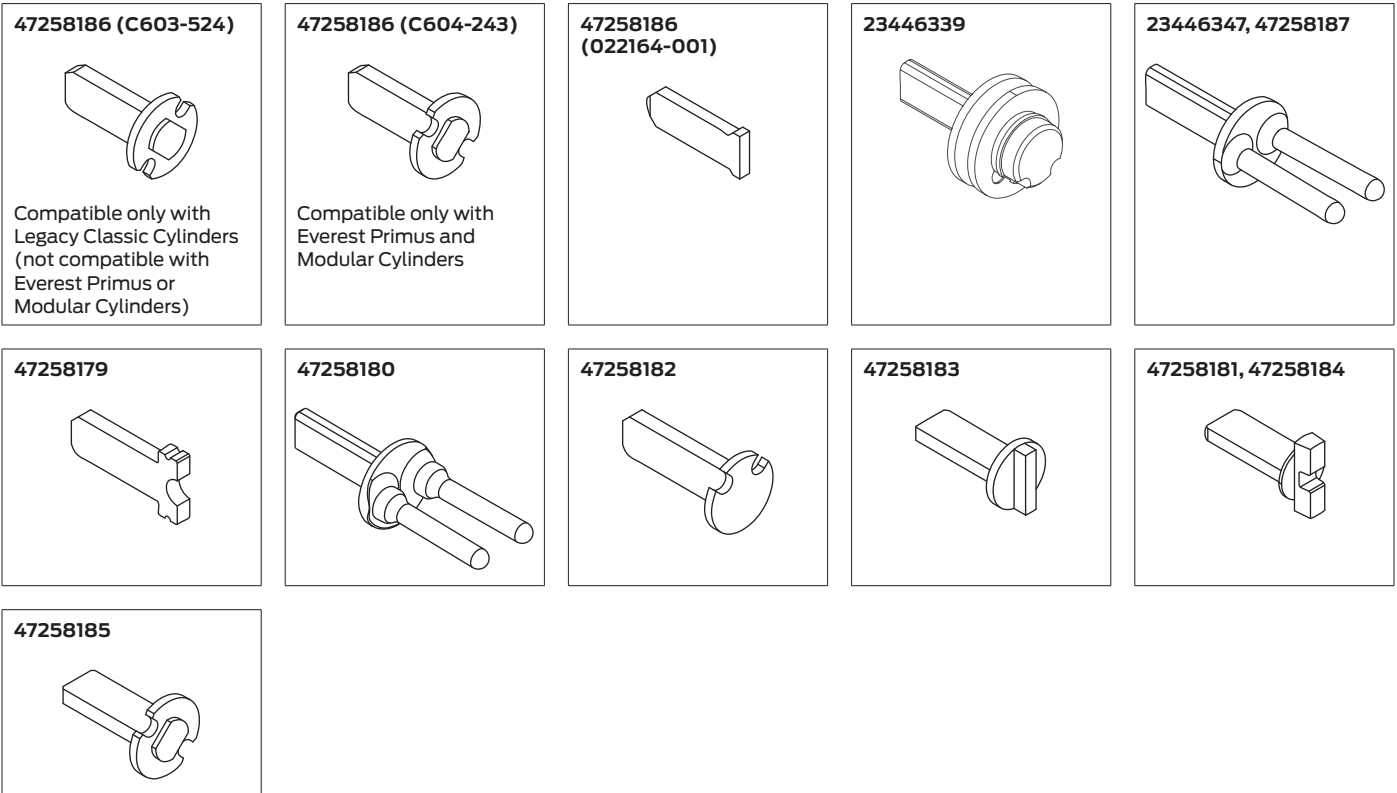


## Tailpiece Kits

Order Suffix	Cylinder Type	Manufacturer(s)	All AD Chassis Types
LD	KIL (Less) 6 Pin	Schlage, Falcon	47258186*
JD, RD, TD	FSIC 6 Pin	Schlage	23446339
GD, HD	SFIC 7 Pin	Schlage	23446347
BD, BDC	SFIC (Less)	Schlage	47258187
LD SA6	KIL (Less) 6 Pin	Sargent	47258179
LD FA7	KIL (Less) 7 Pin	Falcon	47258182
JD SA6	FSIC (Less) 6 Pin	Sargent	47258180
JD CO6	FSIC (Less) 6 Pin	Corbin Russwin	
JD CO7	FSIC (Less) 7 Pin	Corbin Russwin	
LD CO6	KIL (Less) 6 Pin	Corbin Russwin	47258185
JD YA6	FSIC (Less) 6 Pin	Yale	47258181V
JD YA7	FSIC (Less) 7 Pin	Yale	47258184
JD MED	FSIC (Less) 6 Pin	Medeco	47258183

\* Contains Schlage tailpieces C603-524 and C604-243 and Falcon tailpiece 022164-001.

✓ Compatible also with Medeco 31-0100 Cylinders (FSIC cylinder type).



## Parts and Accessories

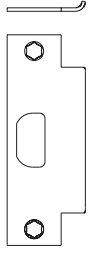
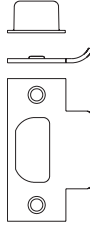
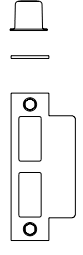


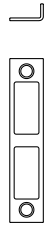
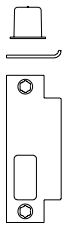
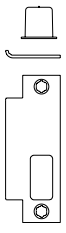
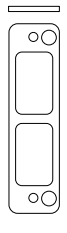
### Spring Cage and Tailpiece 10-Piece Bulk Packs

Order Suffix	Manufacturer, Cylinder Type	Cylindrical and Mortise Chassis	Exit Chassis
LD, PD	Schlage KIL	47259238	47259249*
JD, RD	Schlage FSIC	47259239	47259250*
BD, GD	Schlage SFIC	47259240	47259248*
LD SA6	Sargent KIL (6 pin)	47259241	47259251
JD SA6	Sargent FSIC	47259242	47259252
JD CO6	Corbin Russwin FSIC (6 pin)		
JD CO7	Corbin Russwin FSIC (7 pin)		
JD YA6	Yale FSIC (6 pin)	47259243	47259253
LD FA7	Falcon KIL (7 pin)	47259244	47259254
JD MED	Medeco FSIC (6 pin)	47259245	47259255
JD YA7	Yale FSIC (7 pin)	47259246	47259256
LD CO6	Corbin Russwin KIL	47259247	47259257

\* All exit trims except ATH (Athens) and BAT (Athens with tactile warning treatment).

**Parts and Accessories**

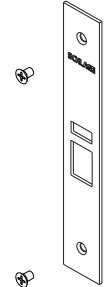

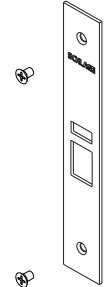

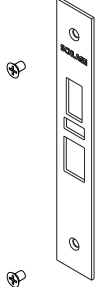

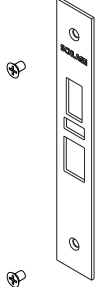

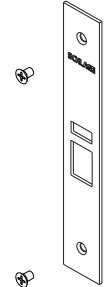

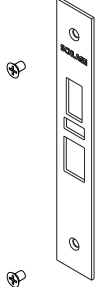

**Strike Plates**

<p><b>10-025</b> ANSI, No box Size: 1¼" x 4⅞" Lip Length: 1⅜", 1⅝" Available Finishes: 605, 606, 612, 619, 625, 626, 643e</p> 	<p><b>10-013</b> Square Corner, T Strike with box Size: 1⅞" x 2¾" Lip Length: 1⅞", 1½" Available Finishes: 605, 606, 612, 619, 625, 626, 643e</p> 	<p><b>10-072</b> Square Corner, Box Size: 1¼" x 4⅞" Lip Length: 1⅜", 7⁄8", 1", 1½", 1¾", 2" Available Finishes: 605, 606, 612, 619, 625, 626, 643e</p> 
<p><b>K510-066</b> Plastic Box for ANSI Strike Available Finishes: N/A</p> 	<p><b>10-016</b> Square Corner, T Strike with Deep Box, Fire Latch Door Lip Length: 1⅞" Available Finishes: 605, 606, 612, 619, 625, 626, 643e</p> 	<p><b>10-075**</b> ½" Rabbeted Available Finishes: 605, 606, 612, 619, 625, 626, 643e</p> 
<p><b>XL11-820*</b> One Hole for Latching Functions, RH and LHR Door Lip Length: 1⅜" Available Finishes: 605, 606, 612, 619, 625, 626, 643e</p> 	<p><b>XL11-821*</b> One Hole for Latching Functions, LH and RHR Door Lip Length: 1⅜" Available Finishes: 605, 606, 612, 619, 625, 626, 643e</p> 	<p><b>37-015</b> Frame Reinforcer Available Finishes: 605, 606, 612, 619, 625, 626, 643e</p> 

\* Extended leadtime; consult Customer Service

**Mortise Lock Armor Fronts**

Available finishes are 605, 606, 612, 619, 625, and 626.

<p><b>Latch and Auxiliary Latch</b></p> <table> <tr> <td data-bbox="90 1459 308 1881"> <p>09-663 1¼" Wide</p>  </td> <td data-bbox="316 1459 548 1881"> <p>09-669 1⅞" Wide</p>  </td> </tr> </table>		<p>09-663 1¼" Wide</p> 	<p>09-669 1⅞" Wide</p> 	<p><b>Latch, Auxiliary Latch, and Deadbolt</b></p> <table> <tr> <td data-bbox="565 1459 779 1881"> <p>09-666 1¼" Wide</p>  </td> <td data-bbox="787 1459 1008 1881"> <p>09-672 1⅞" Wide</p>  </td> </tr> </table>		<p>09-666 1¼" Wide</p> 	<p>09-672 1⅞" Wide</p> 
<p>09-663 1¼" Wide</p> 	<p>09-669 1⅞" Wide</p> 						
<p>09-666 1¼" Wide</p> 	<p>09-672 1⅞" Wide</p> 						

\*\* For 1¾" thick doors, use wide armor front. For over 1¾" thick door extended equally (EE), use 1¼" wide armor front.

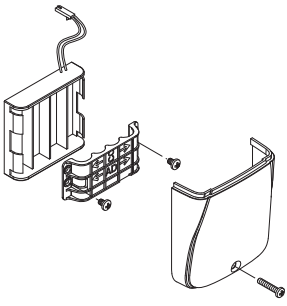
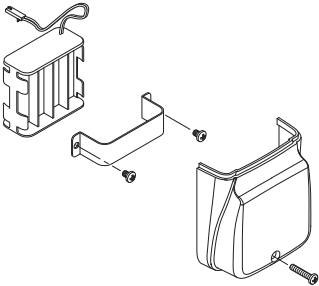


## Parts and Accessories

### Battery Holder Kits and WPR Charger Kit

Battery holder kits are used to convert from a four-battery holder to to an eight-battery holder, or vice versa. They may also be used as replacement parts.

Kit Compatibility				
Types	AD-200	AD-250	AD-300	AD-400
4C	X	X	X	X
4B	X	X		X
8B	X	X		X

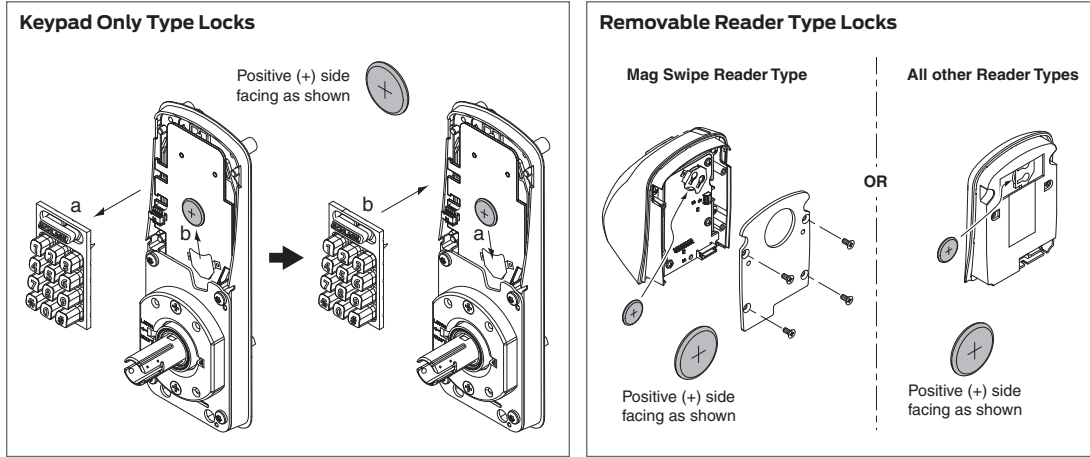
Battery Holder Kits and WPR Charger Kit		
Kit Name	Contents	Kit Part Number
4AA Battery Holder and Cover Kit* 	4AA Battery Holder	4B
	4AA Battery Strap	
	Battery Holder Screws	
	4AA Battery Cover	
	Battery Cover Screw	
8AA Battery Holder and Cover Kit* 	8AA Battery Holder	8B
	8AA Battery Strap	
	Battery Holder Screws	
	8AA Battery Cover	
	Battery Cover Screw	
4AA Battery Holder Kit	4AA Battery Holder with Cable	46929063
	4AA Battery Strap	
	Battery Holder Screws	
8AA Battery Holder Kit	8AA Battery Holder	46929097
	8AA Battery Strap	
	Battery Holder Screws	
4AA Battery Cover*	4AA Battery Cover	4C
	Battery Cover Screw	
8AA Battery Cover*	8AA Battery Cover	8C
	Battery Cover Screw	

\* Must specify finish when ordering separate.

## Coin Cell Battery Replacement

Keypad only locks contain the coin cell battery and holder on the PC board assembly (PCBA), while the removable reader type locks have the coin cell battery within the back of the reader module.

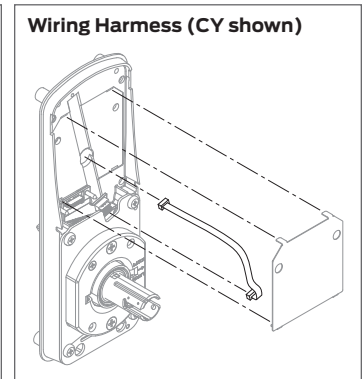
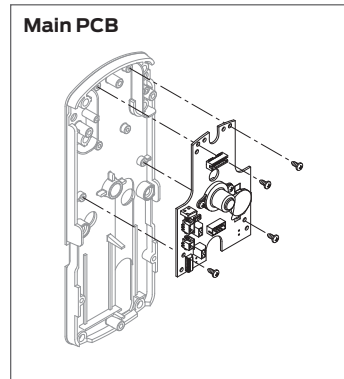
Coin cell battery part number: 46929147



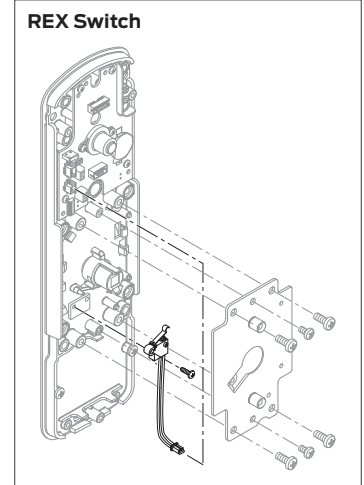
## REX Switch, Main PCB Kits and Wiring Harness Replacement

These kits are used to replace an existing REX switch, main PCB, or wiring harness as required. When replacing the main PCB, a firmware update may be required. For information concerning updating firmware, download the Schlage Utility Software User Guide at [us.allegion.com](http://us.allegion.com).

Compatibility		
Type	Models	Types
REX	AD-200, AD-250, AD-300, AD-400	CY, MS, MD
Main PCB and Wiring Harness	AD-200, AD-250, AD-300, AD-400	CY, MS, MD, 993



REX Switch, Main PCB Kits, and Wiring Harness Replacement		
Name	Contents	Kit Part No.
REX Switch Kit (CY and MS)	REX Switch	46929139
	REX Switch Screw	
	REX Leaf Spring	
Main PCB Kit*	Main PCB	46929048
	Main PCB Screws (4)	
Wiring Harness	Wiring Harness CY and MS	46928727
	Wiring Harness 993	46928735
Adapter, Exit RX Pigtail		23536774
AD-300 and AD-400 REX Switch (Exit)		RX-LC

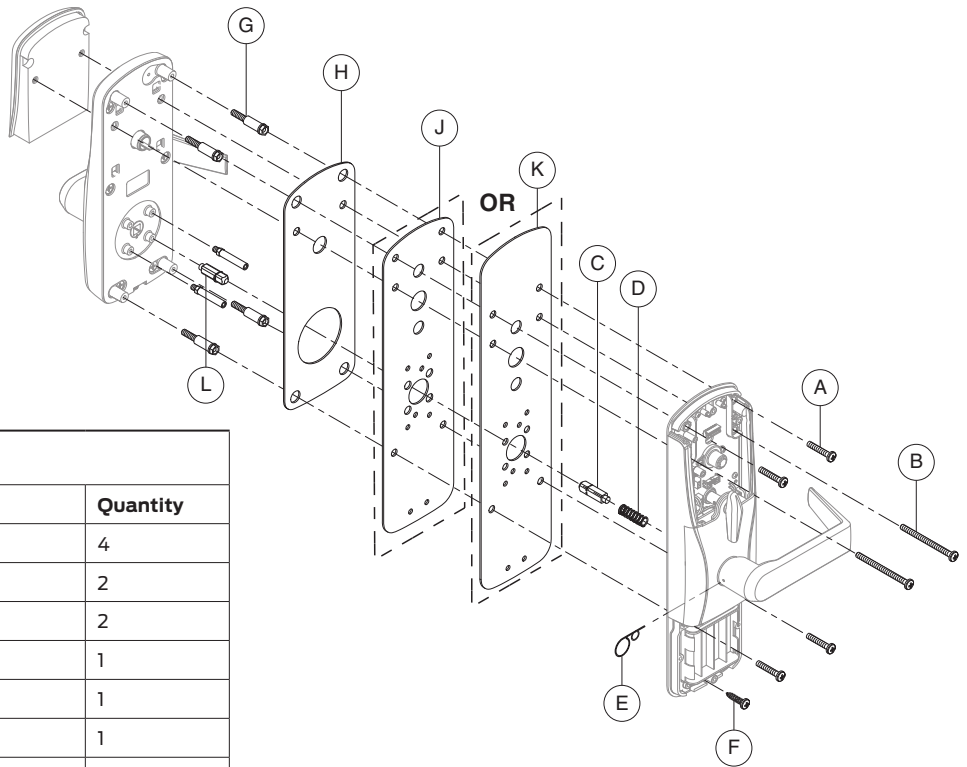


\* Must specify device class and function.

## Parts and Accessories

### Door Thickness Kit

The door thickness kit is used to install a lock on a door that is thicker or thinner than 1¾". Use the chart below to determine what is needed. This kit can also be used as replacement parts. Locks cannot be installed on doors thicker than 2¾" or thinner than 1⅜".



Part Number	Kit Description
46929170 (specify finish)	Mounting Hardware Kit, Cylindrical
46929178 (specify finish)	Mounting Hardware Kit, Mortise

Door Thickness Kit Items		
Letter	Description	Quantity
A*	Baseplate Mounting Bolts	4
B*	Reader Mounting Bolts	2
C*	Spindles	2
D	Spindle Spring	1
E	Pin Wrench	1
F	Fireplate Screw	1
G	Baseplate Stand-offs	4
H	Exterior Shim Plate	3
J	Interior Shim Plate for AD-200/AD-300	3
K	Interior Shim Plate for AD-400	3
L	Mortise Stand-offs	2

\* The length of these items varies by door thickness. See charts on page 56 for more information.

Door Thickness Kit Contents			
Lock Type	Door Thickness	Kit Number	Contents (Item Letters)
CY	1⅜"	46929170-138	A, B, C, D, E, F, G, H, J, K
	1½"	46929170-112	A, B, C, D, E, F, G, H, J, K
	1⅝"	46929170-158	A, B, C, D, E, F, G, H, J, K
	1¾" <sup>1</sup>	46929170-134	A, B, C, D, E, F, G
	1⅞"	46929170-178	A, B, C, D, E, F, G
	2"	46929170-200	A, B, C, D, E, F, G
	2⅛"	46929170-218	A, B, C, D, E, F, G
	2¼"	46929170-214	A, B, C, D, E, F, G
	2⅜"	46929170-238	A, B, C, D, E, F, G
	2½"	46929170-212	A, B, C, D, E, F, G
	2⅝"	46929170-258	A, B, C, D, E, F, G
	2¾"	46929170-234	A, B, C, D, E, F, G

1 Standard

Door Thickness Kit Contents			
Lock Type	Door Thickness	Kit Number	Contents (Item Letters)
MS/MD	1⅜"	46929178-138	A, B, C, D, E, F, G, H, J, K, L
	1½"	46929178-112	A, B, C, D, E, F, G, H, J, K, L
	1⅝"	46929178-158	A, B, C, D, E, F, G, H, J, K, L
	1¾" <sup>1</sup>	46929178-134	A, B, C, D, E, F, G, L
	1⅞"	46929178-178	A, B, C, D, E, F, G, L
	2"	46929178-200	A, B, C, D, E, F, G, L
	2⅛"	46929178-218	A, B, C, D, E, F, G, L
	2¼"	46929178-214	A, B, C, D, E, F, G, L
	2⅜"	46929178-238	A, B, C, D, E, F, G, L
	2½"	46929178-212	A, B, C, D, E, F, G, L
	2⅝"	46929178-258	A, B, C, D, E, F, G, L
	2¾"	46929178-234	A, B, C, D, E, F, G, L

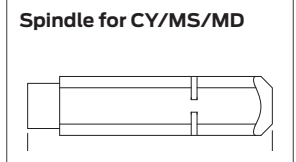
1 Standard

## Parts and Accessories

# Mounting Screw and Spindle Details for CY, MS, and MD

Items shown below vary by door thickness. These parts are not sold individually. Purchase as part of the door thickness kit shown on page 55.

Item	Description	Door Thickness											
		1 <sup>3</sup> / <sub>8</sub> "	1 <sup>1</sup> / <sub>2</sub> "	1 <sup>5</sup> / <sub>8</sub> "	1 <sup>3</sup> / <sub>4</sub> "	1 <sup>7</sup> / <sub>8</sub> "	2"	2 <sup>1</sup> / <sub>8</sub> "	2 <sup>1</sup> / <sub>4</sub> "	2 <sup>3</sup> / <sub>8</sub> "	2 <sup>1</sup> / <sub>2</sub> "	2 <sup>5</sup> / <sub>8</sub> "	2 <sup>3</sup> / <sub>4</sub> "
<b>Baseplate Mounting Screws Lengths (Pan Head Phillips Machine Screws)</b>													
A	#10-24 x 1 <sup>1</sup> / <sub>8</sub> "	x	x	x	x								
	#10-24 x 1 <sup>3</sup> / <sub>8</sub> "					x	x						
	#10-24 x 1 <sup>5</sup> / <sub>8</sub> "							x	x				
	#10-24 x 1 <sup>7</sup> / <sub>8</sub> "									x	x		
	#10-24 x 2 <sup>1</sup> / <sub>8</sub> "											x	x
<b>Reader Mounting Screws Lengths (Pan Head Phillips Machine Screws)</b>													
B	#10-24 x 2 <sup>3</sup> / <sub>4</sub> "	x	x	x	x								
	#10-24 x 2 <sup>7</sup> / <sub>8</sub> "					x							
	#10-24 x 3"						x						
	#10-24 x 3 <sup>1</sup> / <sub>8</sub> "							x					
	#10-24 x 3 <sup>1</sup> / <sub>4</sub> "								x				
	#10-24 x 3 <sup>3</sup> / <sub>8</sub> "									x			
	#10-24 x 3 <sup>1</sup> / <sub>2</sub> "										x		
	#10-24 x 3 <sup>5</sup> / <sub>8</sub> "											x	
	#10-24 x 3 <sup>3</sup> / <sub>4</sub> "												x
<b>Spindle Type and Length</b>													
C	CY 1.30"	x	x	x	x	x	x						
	CY 1.50"							x	x	x			
	CY 1.70"										x	x	x
	MS/MD 1.65"	x	x	x	x	x	x						
	MS/MD 1.84"								x	x	x		
	MS/MD 2.02"											x	x



# Exit Device Mounting Hardware Kit

**Order by part number 47260744.**

When ordering, specify chassis (Rim and Concealed Vertical Rod = 993R, Surface Vertical Rod = 993S, Mortise = 993M), door thickness, and finish.

Item Description	Door Thickness								
	1¾"	1⅞"	2"	2⅛"	2¼"	2⅜"	2½"	2⅝"	2¾"
<b>Bolts, Upper Mounting for Rim, Concealed Vertical Rod, and Mortise</b>	<b>Quantity</b>								
#10-24 x 1" Pan Head Phillips Machine Screws	2	2							
#10-24 x 1¼" Pan Head Phillips Machine Screws			2	2					
#10-24 x 1½" Pan Head Phillips Machine Screws					2	2			
#10-24 x 1¾" Pan Head Phillips Machine Screws							2	2	
#10-24 x 2" Pan Head Phillips Machine Screws									2
<b>Bolts, Upper Mounting for Surface Vertical Rod</b>	<b>Quantity</b>								
#10-24 x 2" Pan Head Phillips Machine Screws	2	2							
#10-24 x 2¼" Pan Head Phillips Machine Screws			2	2					
#10-24 x 2½" Pan Head Phillips Machine Screws					2	2			
#10-24 x 2¾" Pan Head Phillips Machine Screws							2	2	
#10-24 x 3" Pan Head Phillips Machine Screws									2
<b>Finish Washer and Finished Oval Head Screws (see available finishes below)</b>	<b>Quantity</b>								
#10 Finish Washer	2								
#10-24 x 1" Oval Head Phillips Machine Screws	2								
#10-24 x 1¼" Oval Head Phillips Machine Screws		2	2						
#10-24 x 1½" Oval Head Phillips Machine Screws				2	2				
#10-24 x 1¾" Oval Head Phillips Machine Screws						2	2		
#10-24 x 2" Oval Head Phillips Machine Screws								2	2
	<b>Quantity</b>								
Sex Bolts, Top Mounting	4								
#10-24 x 5/16" Pan Head Mounting Screw	2								
#8-32 x ¾" Phillips Round Washer-Head Self-Extruding Screw (Gimlet point)	2								
#10 Washer, ANS Type B, Series W	2								
Plate, Von Duprin, Retrofit	1								

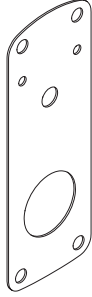
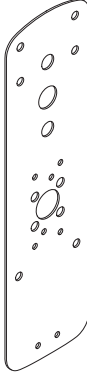

Finish washer and finished oval head screws are available in finishes 605, 606, 612, 619, 625, 626, 626AM, and 643e.

## Parts and Accessories

### Thin Door Shims

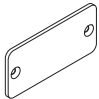
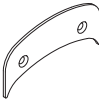
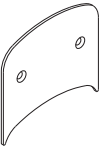
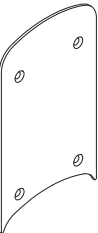
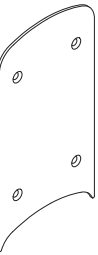
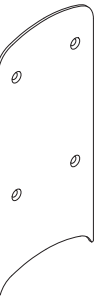
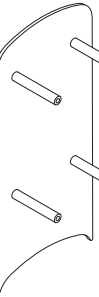
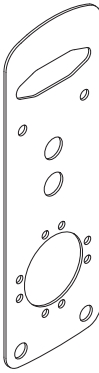
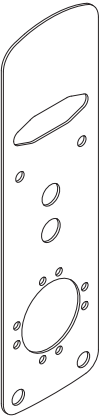
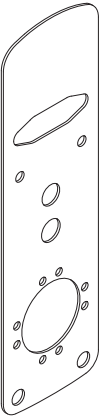
Thin door shims are used to install a lock on a door that is thinner than 1 $\frac{3}{4}$ ". These shims are included in the door thickness kit (see page 55) and sold individually.

Compatibility	
Models	Types
AD-200, AD-250, AD-300, AD-400	CY, MS, MD

Quantity of Shims Required			
Part No.	23458599	23458607	23458565
<b>Description</b>	Exterior Shim Plate 	Interior Shim Plate - AD-200/250/300 	Interior Shim Plate - AD-400 
<b>1<math>\frac{3}{8}</math>" Door</b>	3	3	3
<b>1<math>\frac{1}{2}</math>" Door</b>	2	2	2
<b>1<math>\frac{5}{8}</math>" Door</b>	1	1	1

### Decorative Plates

Decorative plates are used to cover exposed holes when retrofitting from existing locks to AD-Series locks. The size of plate required will vary based on the size and location of holes being covered. Retrofit information can be found at [us.allegion.com](http://us.allegion.com).

Part No.	23631823	23760267	23760283	23760317	23760325	23760309	23760291	23760259	23760275	
<b>Description</b>	Exit Trim 	1.7" 	3.2" 	6" 	6.6" 	8" 	8" 	8" 	10.5" 	12" 

① Note: If UD (under the lock) plates are on both sides of device, then the door will become  $\frac{1}{8}$ " thicker. A door thickness kit of an incremental  $\frac{1}{8}$ " must be ordered to accommodate under the lock plates. See page 55 for door thickness kit.



## About Allegion™

Allegion (NYSE: ALLE) is a global pioneer in safety and security, with leading brands like CISA®, Interflex®, LCN®, Schlage® and Von Duprin®. Focusing on security around the door and adjacent areas, Allegion produces a range of solutions for homes, businesses, schools and other institutions. Allegion is a \$2 billion company, with products sold in almost 130 countries.

For more, visit [www.allegion.com](http://www.allegion.com).

*aptiQ* ■ LCN ■ **SCHLAGE** ■ STEELCRAFT ■ VON DUPRIN