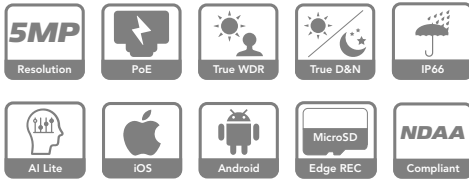


AVC-NCB51M
5MP H.265 MOTORIZED LENS BULLET CAMERA



InfiniteColor
 (Full Color Technology)



5MP H.265 MOTORIZED LENS BULLET CAMERA

5MP H.265 MOTORIZED LENS BULLET CAMERA

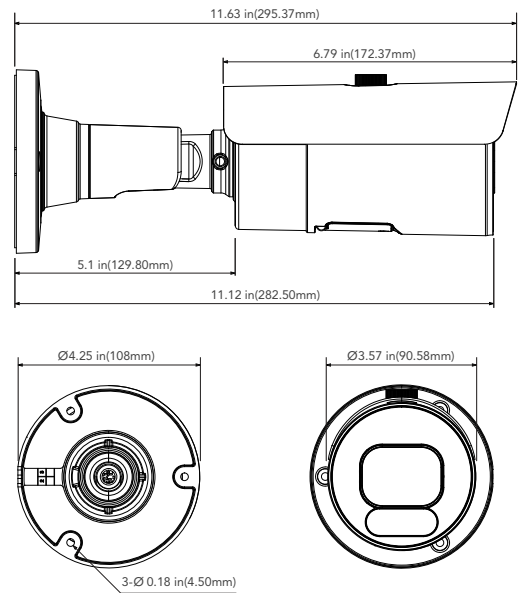
The AVYCON AVC-NCB51M camera is a 5MP H.265 Motorized Lens Bullet Camera. This 5MP IP camera supports True Day and Night mode, PoE, and up to 114ft. of Smart IR Illumination. It also incorporates AVYCON's InfiniteColor technology with the supplementation of a white floodlight, allowing videos to be viewed in color even in complete darkness. This camera includes a Motorized 2.8-12mm Lens. Also standard with this series is Digital NR, ROI, HLC, True WDR, and BLC capabilities. Optional accessories for this camera include a Junction Box Mount. Includes a MicroSD memory card slot for standalone recording applications.

FUNCTIONS

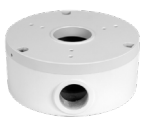
- 5MP (2880 x 1620) @ 30fps
- Max. Resolution: 2880 x 1620
- Supports Smart H.265/H.264 Encoding
- True Day & Night ICR
- Up to 114 ft. IR Illumination
- Motorized 2.8-12mm Lens
- 3D DNR, True WDR, HLC, BLC and ROI Encoding
- Supports Dual-Streams
- Supports Remote Access with Windows, macOS, iOS and Android
- Operating Temperature: -22°F - 140°F
- D12V / PoE (802.3af, ≤6W)
- Built-in MIC
- Built-in MicroSD Card Slot
- Built-in Reset Button
- NDA A Compliant

DIMENSIONS

Unit : inch (mm)



OPTIONAL ACCESSORIES



AVM-JB-BE-S1(-G)
 JUNCTION BOX
 (FIT VERSION)



AVM-JB-BE-L1(-G)
 JUNCTION BOX
 (WIDE VERSION)



AVM-CRM-A1
 CORNER MOUNT



AVM-POM-A1
 POLE MOUNT



AVA-MICSPKSRN
 AUDIBLE AND VISUAL ALARM DEVICE



AVC-NCB51M

5MP H.265 MOTORIZED LENS BULLET CAMERA

SPECIFICATIONS

CAMERA	
Image Sensor	1/2.7" Progressive CMOS
Resolution	2880 × 1620(5MP)
Min. Illumination	Color: 0.02 lux @ F1.2 (AGC ON); BW: 0 lux w/ IR ON
Min. Object Distance	5ft. (1.5m)
IR Distance	Up to 114ft. (35m)
Lens/Focal Length	2.8-12mm
Field of View	Horizontal:112.6°, Vertical:58.5°, Diagonal:138°
Shutter Speed	1/5s ~ 1/20,000s
Lens Type	Ø16.7
VIDEO	
Max. Image Resolution	2880 × 1620 @ 30fps
Supported Resolutions	2880 × 1620, 2592 × 1520, 2304 × 1296, 1920 × 1080, 1280 × 960, 1280 × 720, 640 × 480, 320 × 240 @ 25/30fps
Main Stream	5MP, 4MP, 3MP, 1080P, 960P, 720P
Sub Stream	720P, VGA, QVGA
Mobile Stream	VGA, QVGA
Video Compression	H.265 / H.264
Video Bit Rate	128 Kbps ~ 8 Mbps (CBR / VBR Adjustable)
Max. Framerate	30fps@5MP/4MP/3MP/2MP/960P/720P/VGA/QVGA
IMAGE	
IR LED	4
WarmLight	3
IR Viewable Length	Up to 114ft (35m)
WarmLight Viewable Length	Up to 82ft (25m)
Day & Night	Ext / Color / B/W
Wide Dynamic Range	True WDR
Digital NR	Yes (3D DNR)
Backlight Compensation (BLC)	Off/On (5 Zone)
Gain Control	Auto
White Balance	Auto/Manual
Motion Detection	Off/On (8 Level)
Private Masking	Off/On (4 Zone, Rectangle)
Flip / Mirror	Flip / Rotation
Complementary Lighting Types	Default Warm Light, Switchable Infrared Light
VIDEO ANALYTICS	
On-Board Storage	Micro SD Slot, Up to 1TB
Alarm	NA
Audio	1 IN /1 OUT (RCA)
Hardware Reset	Yes
Smart Features	PID (Intrusion Detection), LCD (Line Cross Detection), SOD (Sound Detection), PD/VD (Human & Vehicle Detection), CC (Cross Counting), CD (Crowd Density Detection), QD (Queue Length Detection), HM (Heat Map)
NETWORK	
Ethernet	RJ45(10/100BASE-T)
Protocol IPv4	TCP/IP,HTTP,DHCP,DNS,DDNS,RTP/RTSP,SMTP,NTP,UPnP,SNMP,HTTPS,FTP
Security	IP Address Filter; Complicated Password; Authenticated Username and Password
Streaming Method	Unicast/Multicast
User Access	Max 7 (Admin+User)
Application Interface	ONVIF(Profile S/G/T)
Web Viewer	IE8, 9, 10, 11, Chrome 44/lower, Firefox 51/lower, Safari 11/lower
GENERAL	
Input Voltage	D 12V / PoE (802.3af)
Power Consumption	TBD
Ingress Protection	IP66
Operating Temperature	-22°~140°F (-30°~60°Celsius)
Working Humidity	≤95%RH
Weight	0.7lbs
Dimensions	11.63" × Ø4.25"(295.37mm × Ø108mm)



AVYCON[®]

Copyright © AVYCON. All rights reserved. Specifications and pricing are subject to change without notice.

phone: 949-752-7606

email: info@avycon.com

social: @avycon_aivo

website: avycon.com